

ELS INSTALLATION INSTRUCTIONS



BEFORE YOU BEGIN

Read and follow all safety instructions



WARNING

RISK OF FIRE, EXPLOSION AND ELECTRIC SHOCK

- This product should be installed, inspected, and maintained by a qualified electrician only, in accordance with the NEC (National Electric Code) and all local codes.
- Turn off electrical power before inspection, installation or removal.
- Use only UL (or other NRTL) approved wire for input/output connections.
- Make sure LEDs and drivers are cool to touch when performing maintenance. Make sure the supply voltage is the same as the rated voltage of the luminaire.
- Do not install in a hazardous atmosphere, except where the ambient temperature does not exceed the rated operating temperature of the fixture.
- Keep tightly closed when in operation



Prepare Electrical Wiring



Electrical Requirements

Must check if the local voltage range is correspond with the working voltage of the fixture. Use min. 75°C supply.



Grounding Instructions

The grounding and bonding of the overall system shall be done in accordance with NEC Article 600 and local codes.



Follow all applicable safety procedures and use Personal Protective Equipment such as hardhats, safety glasses, reflective vest, electrical safety gloves, fall protection equipment and safety toe boots during the installation, operation, and maintenance of the luminaire.

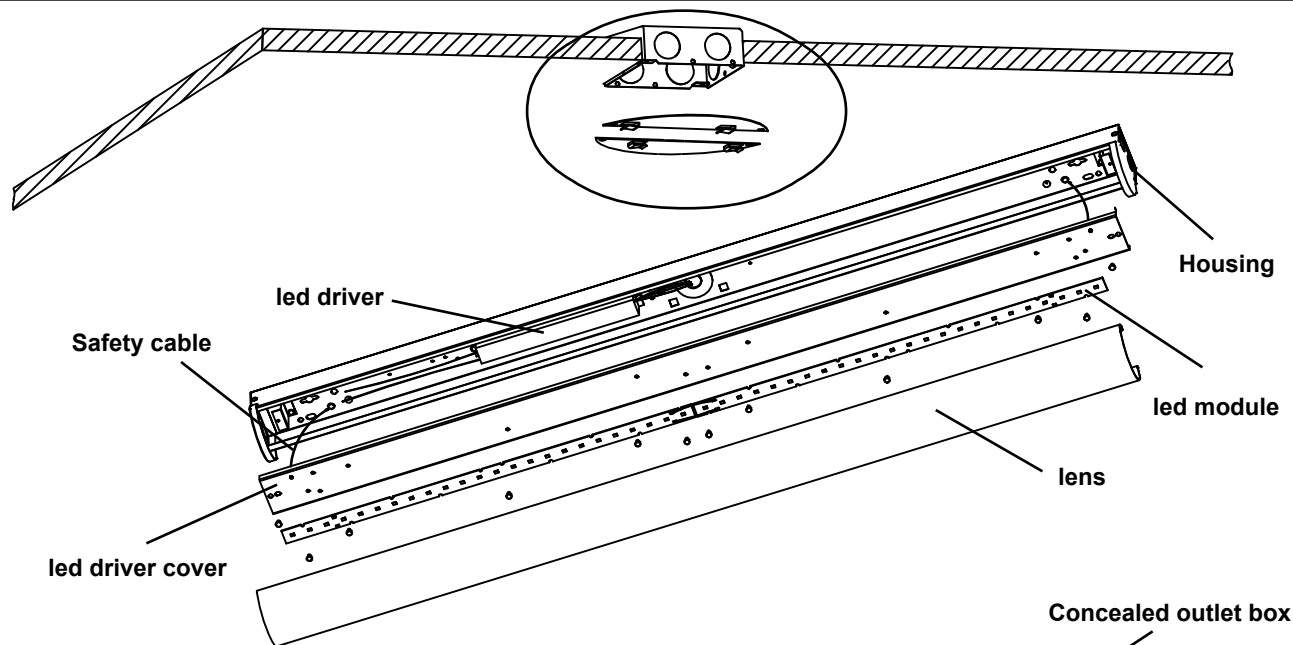
*** Any damage caused from improper installation will void warranty and not be accepted for RGA (Return Goods Authorization). Improper installation includes but not limited to field-drilled hole(s), improper latch closure and any damage caused during installation.**

Contractor is responsible for adequately reinforcing ceilings to support luminaire weight. Utopia Lighting accepts no responsibility for inadequately reinforced ceilings. The information contained in this drawing is the sole property of Utopia Lighting.

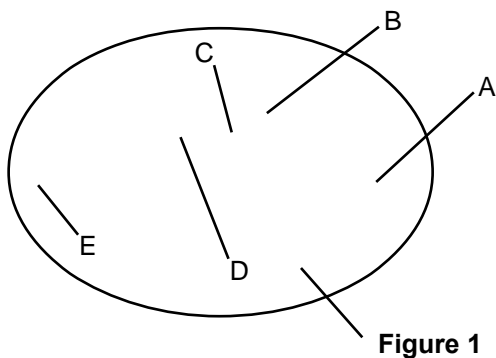
Any reproduction in part or whole without the written permission of Utopia Lighting is prohibited and warranty is voided.



ELS INSTALLATION INSTRUCTIONS

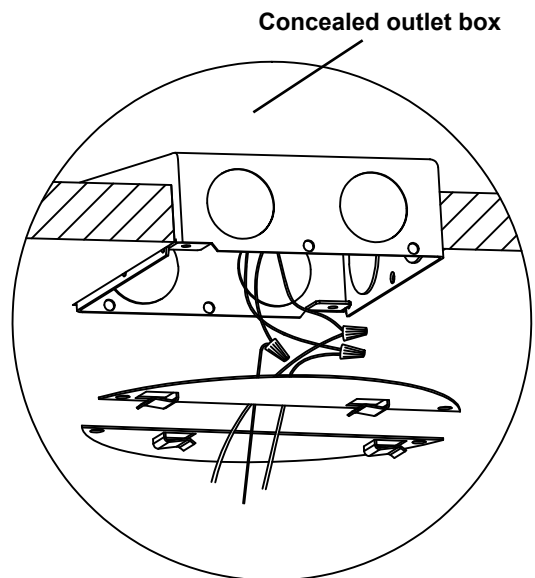


Mounting Options



- A:** End Cap
- B:** Chain Mounting with V hook
- C:** Surface Mounting
- D:** T-Bar Clip Mounting Hole
- E:** Wiring Knockouts

Figure 1



Installation Step:

Always turn off the power supply from main circuit breaker first!

B: Chain Mounting with V hook

Attach customer supplied V-Hooks to each end of the luminaire base. Attach customer supplied chain to the V-hooks and mounting surface.

C: Surface Mounting

Secure luminaire base to mounting surface by inserting customer supplied #8 anchor screws, toggle bolts or suitable fasteners, depending on structural conditions, into key hole slots on the top side of the luminaire base.

D: T-Bar Clip Mounting Hole

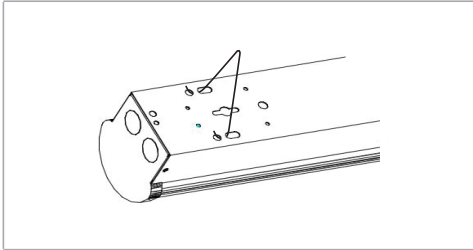
Attach customer supplied T-Bar clips to the designated opening on the luminaire as show in Figure 1. Bring luminaire into T-Bar ceiling grid and secure luminaire to grid.



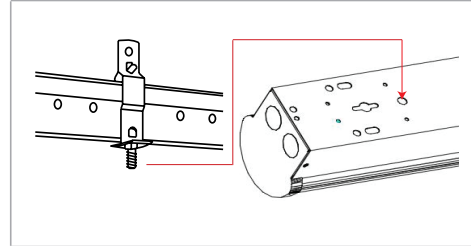
ELS INSTALLATION INSTRUCTIONS

Mounting Options

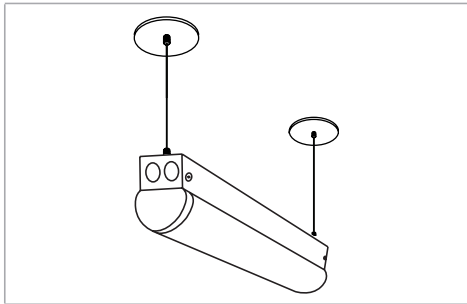
Chain mount with V-hook



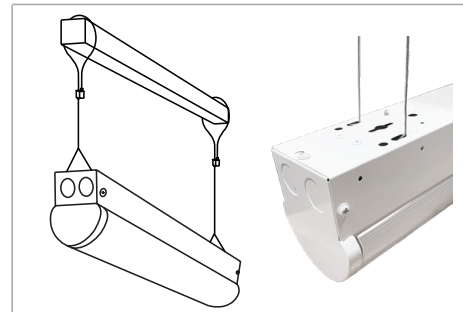
T-bar clip mount



Adjustable cable mount



Adjustable Y-cable with toggles



Field Selectable CCT/WATT located on the side of the body

