

HIGH BAY SENSOR-EFS104



PRODUCT OVERVIEW

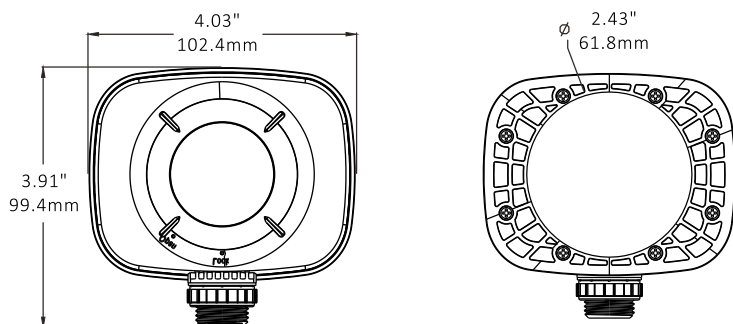
The Keilton AC High Bay PIR Sensor and Controller EFS104 that is compatible to other Keilton Devices which utilizes Bluetooth technology for reliable and secure wireless communication. Schedule can be programmed via Keilton app for IOS and Android. Passwordless Admin or guest access can be shared to others by QR code. IP65 rated for more applications. EFS104 equipped AlgoH algorithm to maximum the detection for High bay application up to 50ft without false trigger.

Features:

- Bluetooth Network Technology
- Design for High Bay applications
- AlgoH algorithm enhance performance in high bay application
- Analog Sensor Built-in
- Replacable lens options
- 120-277V Line Voltage input

DIMENSION

Unit: inch/mm



MODEL	DESCRIPTION
EFS104	External Bluetooth Network Wireless Fixture Controller
HBL1	HBL1 High Bay Lens
HBL2	HBL2 High Bay Lens
MBL1	MBL1 Middle Bay Lens

MODELS

EFS104

SPECIFICATIONS AND FEATURES

Input Voltage: 120-277V AC
50/60Hz

Maximum Load: 10A, 1200w Max
for LED Driver Only

Comply to UL 1376, RoHS

Warranty: Five years warranty

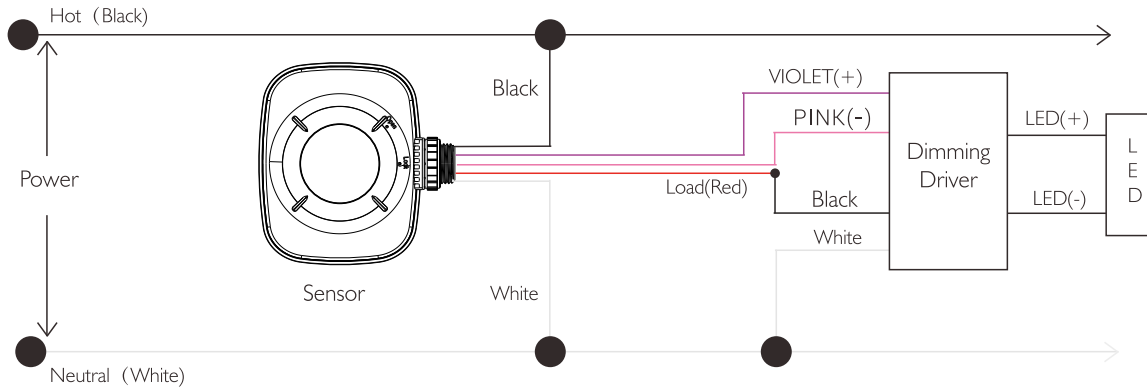
IP rate: IP66

Op. temperature: -22°F ~ 131°F
(-30°C ~ 55°C)

Bluetooth transmit: 200ft

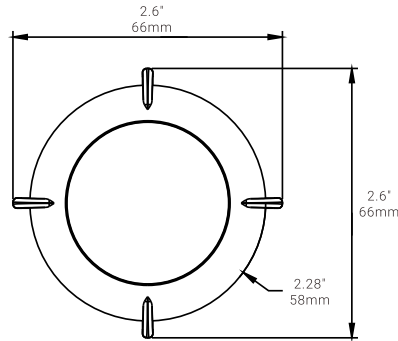
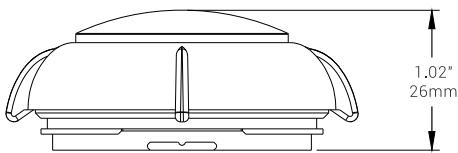


WIRING

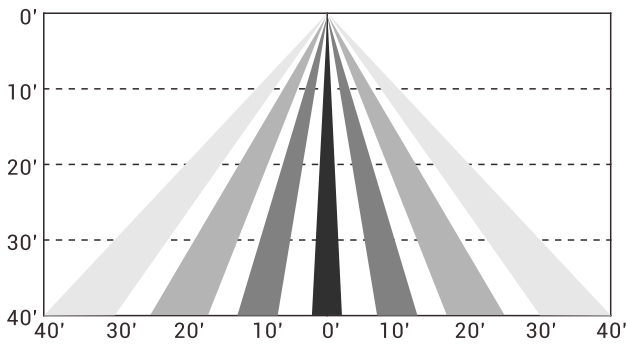


DIMENSION

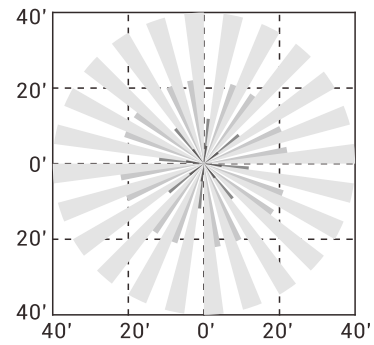
HBL1



Coverage Side View



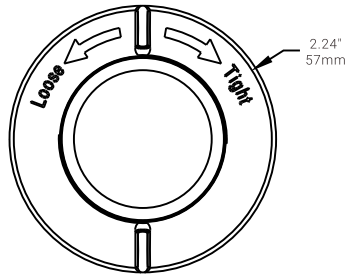
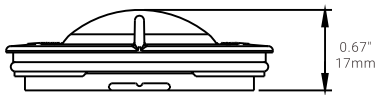
Coverage Top View



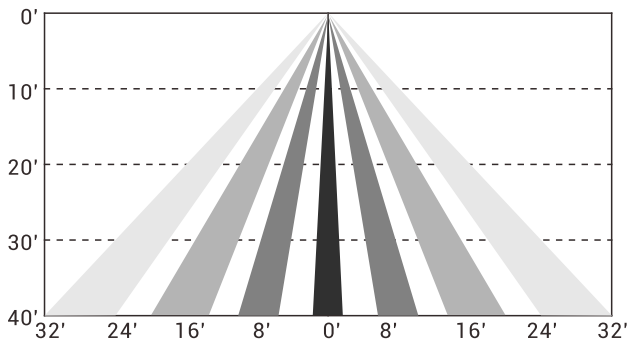
Height 40ft

WIRING

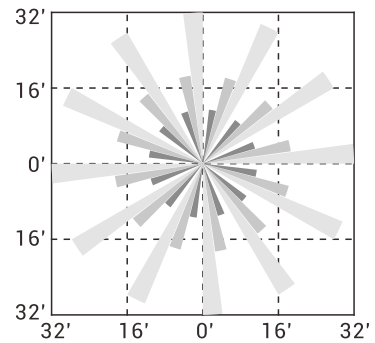
HBL2



Coverage Side View



Coverage Top View



Height 40ft

MARKING

Keilton® EFS104
High Bay Sensor

120-277V AC, 50/60Hz
10A Max 1200W @ 120V 4.3A Max, 1200W @ 277V
for LED Driver Only, For dry and damp locations.

UL US LISTED
E504054
LED CONTROLLER

Bluetooth
FCC ID: 2A26YLTKVT2021

Reset Button
Reset Button is Behind the PIR lens

WARNING:
Disconnect power before servicing.
Install in accordance with national and local electrical codes.
For connections use wire rated for at least 90°C.

Input type: Branch circuit, (mains)
Output type: Branch circuit, (mains)
Output load type: Switch mode LED driver.
Wired Control Circuits Isolated
0-10V Dimming Class 2

Made in China

BLACK	WHITE	RED	PURPLE	PINK
LINE	NEUTRAL	LOAD	DIM+	DIM-