



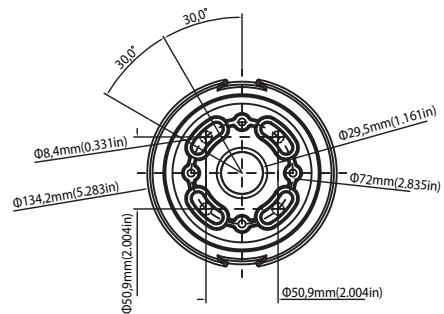
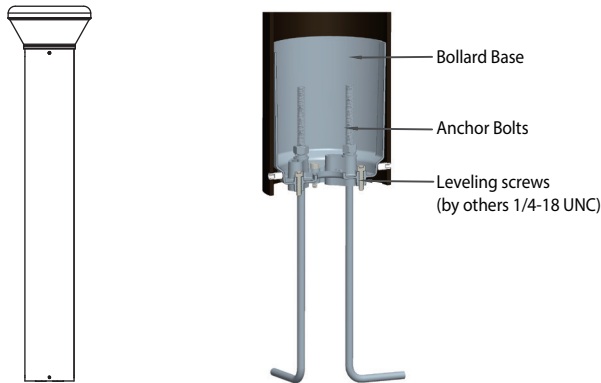
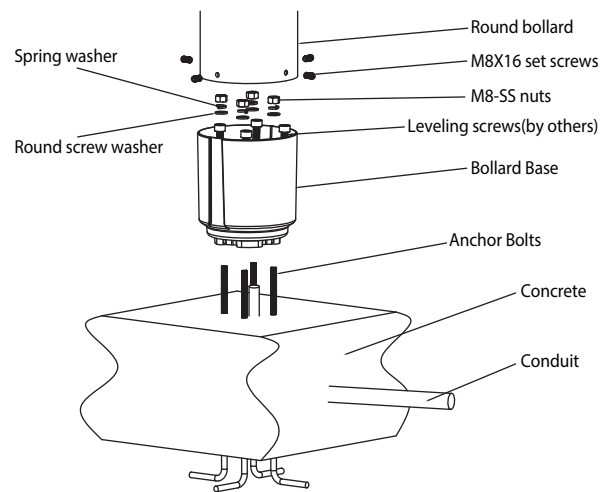
WARNING

PLEASE READ ALL INSTRUCTIONS BEFORE ATTEMPTING INSTALLATION

- To prevent personal injury or product damage only licensed electricians should install.
- To avoid electric shock or component damage disconnect power before attempting installation or servicing.
- This product must be installed in accordance with the national electric code (NEC) and all applicable federal, state and local electric codes and safety standards.
- Disconnect product and allow cooling prior to servicing.
- Any alteration or modification of this product is expressly forbidden as it may cause serious personal injury, death, property damage and/or product malfunction.
- To prevent product malfunction and/or electrical shock this product must be properly grounded.
- This luminaire is designed to operate in ambient temperatures ranging from -40°C to 45°C and to be horizontally mounted with the LEDs facing down.
- This product must be installed in accordance with the applicable installation code by a Person familiar with the construction and operation of the product and the hazards involved.
- In 75°C supply conductors.
- This product is not available for several special environments, such as places with corrosive gas liquids or high pressure water vapor.
- The allowable ambient temperature is 10 C (50 F) to 40 C (104 F) when configuring the emergency battery kit.

Installation instructions

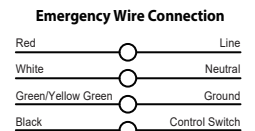
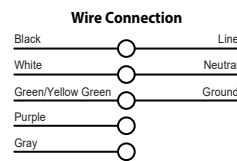
1. Place the Bollard base over Anchor Bolts.
2. Loosely tighten the washers and nuts provided. Tighten all nuts and screws.
3. Be sure supply leads extend far enough to make fixture connections. Wiring connections can be made now.
4. Slide the bollard over on bollard base lined up with the grooves. Be sure to check the LED position on the Bollard.
5. Use the four set screws to secure the bollard to the bollard base.



ANCHOR BOLT TEMPLATE FOR BLED BOLLARD

TOOLS REQUIRED

| Mounting Type | Accessory | Specifications | Quantity |
|---------------|--------------------|--------------------------|----------|
| | Bollard Base | MBL0124DZ-D134H143(D)-YZ | 1 |
| | M8-SS nuts | M8-SS | 4 |
| | Anchor Bolts | MBL0124ZJ-L314W8H67 | 4 |
| | Spring Washer | M8-SS | 4 |
| | Round Screw Washer | M8-OD15ID8.5H1.4-SS | 4 |



Note: Two dimming wires are in the driver box.