

BLD5

Project Name:	
Type:	



APPLICATION

LED bollard light provide high light efficiency. Energy saving replacement of Metal Halide and High pressure sodium lamps with a driver inside. It is designed to work in building perimeter areas and public spaces completing a wide variety of architectural styles.

FEATURES:

- Die-cast extruded aluminum ally housing.
- Round appearance for good decorative effect.
- UV stabilized Dark bronze powder-coated finish.
- Aluminum reflector designed to reduce glare and produce even distribution.
- Type B: Anodized aluminum cone reflector.

LENS:

- Clear UV resistant polycarbonate lens for optimal light transmission and protects the light engine compartment from harsh environments.

MOUNTING:

- Ground mount.
- Template and anchor bolt are provided.

LED:

- High efficacy LED.
- Color Temperature: 3000/4000/5000 (K)
- Color rendering index: >70
- Life span: >50,000 hours
- 70% Lumen maintenance at 60,000 hours.

ELECTRICAL:

- Input voltage: 100-277Vac., 50/60Hz
- 1-10V dimming standard.
- 4Kv surge standard.
- Operating Temperature: -40°F (-40°C) ~ 104°F (40°C)

LISTING:

- UL/cUL listed.
- Wet location listed.
- DLC listed. ¹
- 5 years limited warranty.
- BAA compliant. (optional)

CONFIGURATIONS

MODEL	Input Watts	Lumen Output (4000K)	Lumen Efficiency (4000K)	BUG Rating
BLD5-B	20W	2456 lm	123 lm/W	B1-U3-G2
	30W	3690 lm		

DLC Crosschart

Company	Model#
Grandlite	GRPL-5510-020-UNV-7-xxK

MODEL	Input Watts	Lumen Output (3000K)	Lumen Efficiency (3000K)	Lumen Output (4000K)	Lumen Efficiency (4000K)	Lumen Output (5000K)	Lumen Efficiency (5000K)	BUG Rating
BLD5-B-3S	10W	1374 lm	126 lm/W	1393 lm	135 lm/W	1406 lm	129 lm/W	B1-U3-G2
	20W	2633 lm	126 lm/W	2743 lm	135 lm/W	2696 lm	129 lm/W	
	30W	3894 lm	126 lm/W	4091 lm	135 lm/W	3997 lm	129 lm/W	

ORDERING INFORMATION

EXAMPLE: BLD5-B-20LED-40K-UNV-BZ

MODEL	LED		COLOR TEMP.		VOLTAGE		DISTRIBUTION			FINISH	
BLD5-B	20LED	20W LED	-30K	3000K	UNV	120-277V	(Blank)	Type V	*BZ	Dark Bronze RAL#8019 (Std.)	
	30LED	30W LED	-40K	4000K							
	3S	30/20/10W Selectable	-50K	5000K			O90	90 degree	*WH	White RAL#9016	
			3T	3000/4000/5000K Selectable			O120	120 degree	*GR	Gray RAL#7045	
							O180	180 degree	**CC	Custom Color	

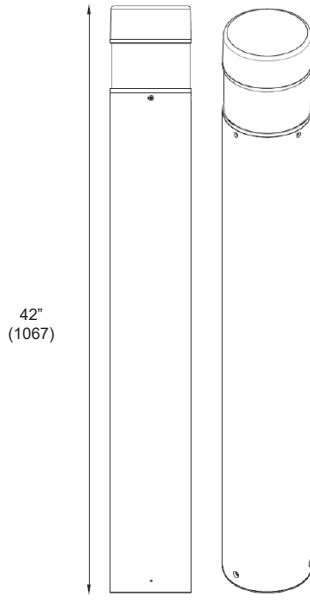
* Non-standard finish with extra charge.
** Additional charge & set up fee.

BOLLARD TOP		OPTIONS	
(Blank)	Flat Top (Std.)	MS	Motion sensor with 0-10V dimming
RT	Round Top ²	ZINC	Zinc coating
		BAA	BAA(Buy American Act) and BABA(Build America Buy America) compliant

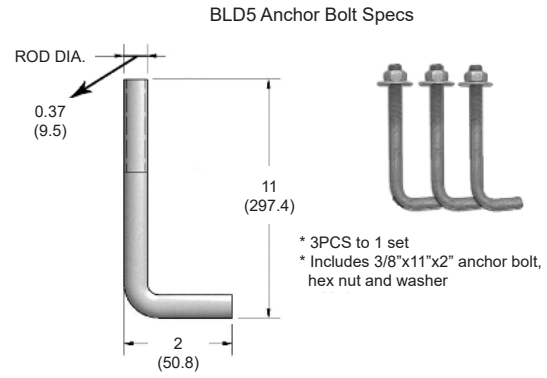
NOTES:

1. DesignLights Consortium (DLC) qualified product. Not all versions of this product may be DLC qualified. Please check the DLC Qualified Products List at www.designlights.org/QPL to confirm which versions are qualified.
2. Available with BLD5-B-3S only.

BLD5

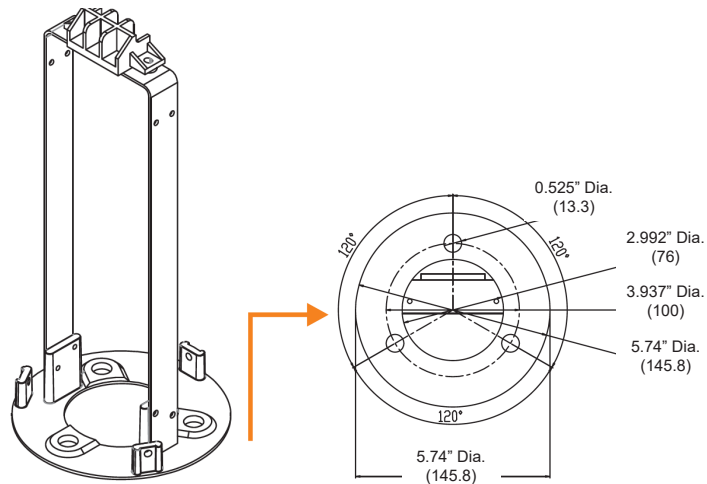


TYPE B



All dimensions are in inches (millimeters).

Mounting Details



BLD5



Round Top



Flat Top