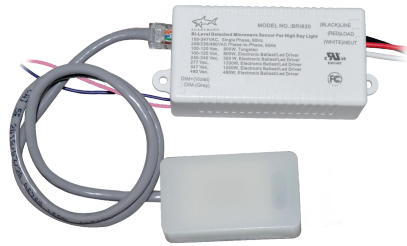


# ■ Bi-Level Detached Microwave Sensor BRI820 Instruction



BRI820



RC-100

## INTRODUCTION

The BRI820 mounts in an outdoor lighting fixture and provides multi-level control based on motion and/or daylight contribution. It controls 0-10 VDC LED drivers or dimming ballasts, and is rated for wet and cold locations.

All control parameters are adjustable via a wireless configuration tool capable of storing and transmitting sensor profiles.

## SPECIFICATIONS

Power supply	100-347VAC, Single Phase, 60Hz 208/230/480VAC Phase-to-Phase, 60Hz
Maximum load @ -40°F ~ +185°F (-40°C ~ +85°C)	100-120 Vac, 800W, Tungsten 100-120 Vac, 800W, Electronic Ballast/Led Driver 230-240 Vac, 300 W, Electronic Ballast/Led Driver 277 Vac, 1200W, Electronic Ballast/Led Driver 347 Vac, 1200W, Electronic Ballast/Led Driver 480 Vac, 480W, Electronic Ballast/Led Driver
HF System	5.8GHz CW
Dim control output	0-10 VDC Dimming, 50mA
Detection radius/angle	Max 26ft.(8m)/360°
Mounting height	Max 40ft.(12m)
Remote range	50ft. (15m) indoor, no backlight
Time setting	10sec.-60min. (adjustable)
Light-control	10-2000Lux (adjustable)
Humidity	Max. 95% RH
Temperature	-40°F ~ +185°F (-40°C ~ +85°C)

Once powering the device up, the BRI820 will use factory default parameters to operate. If adjustments are needed, "RC-100" Wireless IR Configuration tool must be used.

## ⚠ WARNING

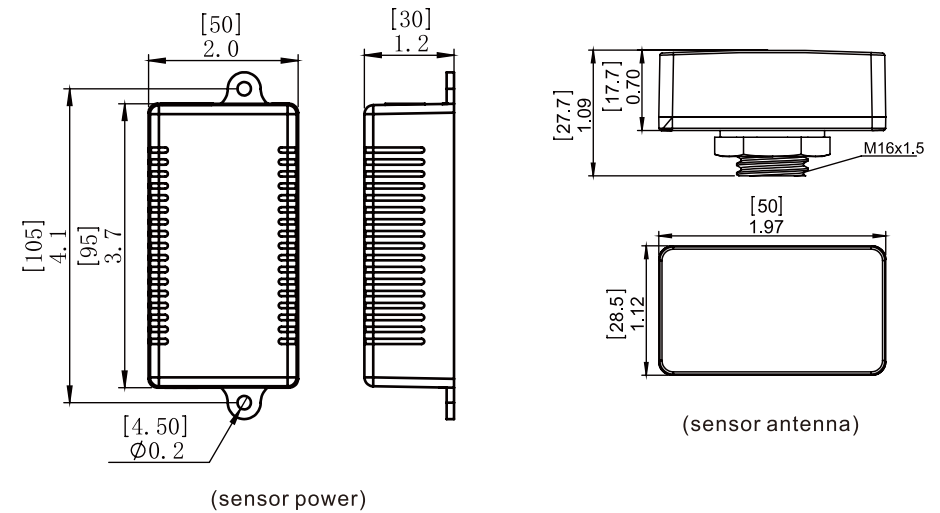
**NOTE:** Warm up time is 15seconds. After the sensor connects input power first time, the light will keep on 15seconds, then go to dimming to work normally.

**NOTE:** Factory Default Setting: 100% sensitivity, Hold on time: 5min, Daylight sensor is ☀, Dimming level:30%, Dimming time: 60minutues.

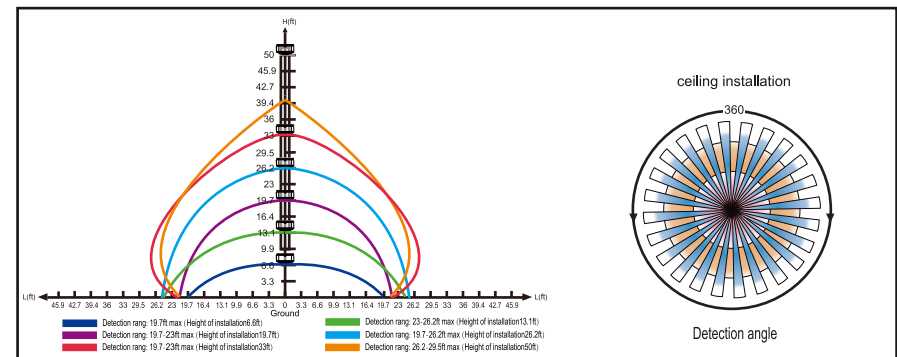
**NOTE:** Any setting changed by remote control, the led light that sensor connect will on/off as confirm.

# ■ Bi-Level Detached Microwave Sensor BRI820 Instruction

## DIMENSIONS:



## SENSOR COVERAGE



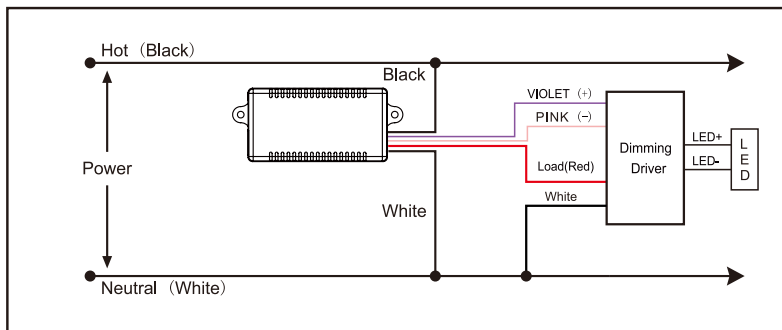
Once powering the device up, the BRI820 will use factory default parameters to operate.

# ■ Bi-Level Detached Microwave Sensor BRI820 Instruction

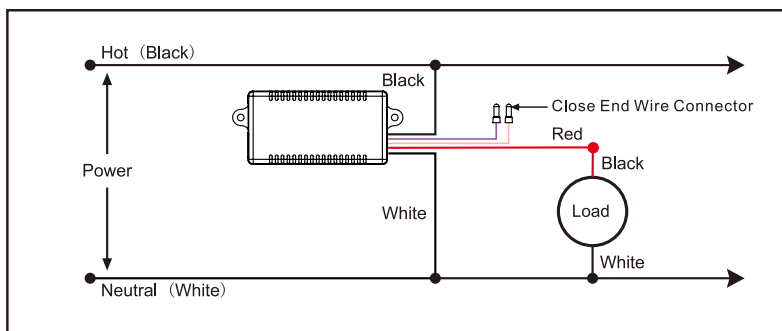
# ■ Bi-Level Detached Microwave Sensor BRI820 Instruction

## WIRING DIAGRAMS

### Dimming Driver



### Non-Dimming Driver



## USING THE "RC-100" CONFIGURATION TOOL

KEY	FUNCTION	KEY	FUNCTION
	Press the on/off button, the light goes to permanent on or permanent off mode, the sensor is locked, MUST Press "AUTO" to quit from this mode.		Press "Auto" button, the sensors starts to work automatically and all parameters remains the same as the latest status in auto mode.
	Display current parameters		The button "Test" is for testing purpose sensitivity only, the sensor goes to test mode (hold time is only 2s) automatically after commissioning, meanwhile the stand-by period and daylight sensor are disabled. Press "AUTO" to quit from this mode.
	upload the selected parameters to sensors		When the light level exceeds this setting, the lights will turn off even when the space is occupied. Once the light level exceeds this setting, the sensor will wait and monitor for 1 mins in order to confirm the light level increase is not temporary before forcing the lights to go off. When light level goes below the settings, the light will turn on even without motion detection after 1min. This feature is disabled by default. if want to open this setting, just press , choose daylight sensor setpoint on/off.
	Enter in the setting condition and navigate to UP and Down		
	Navigate to Right and Left		
	Confirm selected parameters and saving		
	Default settings:		Four modes with existing parameters which are available to be updated and saved in Modes
BRIGHTNESS	Adjust the light brightness during hold time.		Select  /10LUX/30LUX/50LUX/  threshold for sensor to turn light fixture ON. Select , current surrounding lux value as daylight lux threhold, select , the built-in daylight sensor stops working, and all motions detected could turn the light fixture on, no matter how bright the natural light is.
SENSITIVITY	Adjust sensor sensitivity		
HOLD TIME	The time of light fixture remains at programmed 70%/80%/100% level after motion is not detected		Select the stand-by dimming level at 0%/10%/30%/ 50%; Note: "0%" means on /off control;
STAND-BY TIME	Select stand-by period at 1min/30min / 60min/+∞; Note: "+∞" means bi-level dimming control, fixture never switches off.		