

CUBE2-HEX

PENDANT CABLE INSTALLATION INSTRUCTIONS



BEFORE YOU BEGIN

Read and follow all safety instructions



WARNING

RISK OF FIRE, EXPLOSION AND ELECTRIC SHOCK

- This product should be installed, inspected, and maintained by a qualified electrician only, in accordance with the NEC (National Electric Code) and all local codes.
- Turn off electrical power before inspection, installation or removal.
- Use only UL (or other NRTL) approved wire for input/output connections.
- Make sure LEDs and drivers are cool to touch when performing maintenance.
Make sure the supply voltage is the same as the rated voltage of the luminaire.
- Do not install in a hazardous atmosphere, except where the ambient temperature does not exceed the rated operating temperature of the fixture.
- Keep tightly closed when in operation



Prepare Electrical Wiring



Electrical Requirements

Must check if the local voltage range is correspond with the working voltage of the fixture. Use min. 75°C supply.



Grounding Instructions

The grounding and bonding of the overall system shall be done in accordance with NEC Article 600 and local codes.



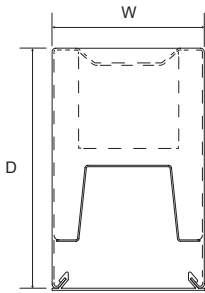
Follow all applicable safety procedures and use Personal Protective Equipment such as hardhats, safety glasses, reflective vest, electrical safety gloves, fall protection equipment and safety toe boots during the installation, operation, and maintenance of the luminaire.



CUBE2-HEX

PENDANT CABLE INSTALLATION INSTRUCTIONS

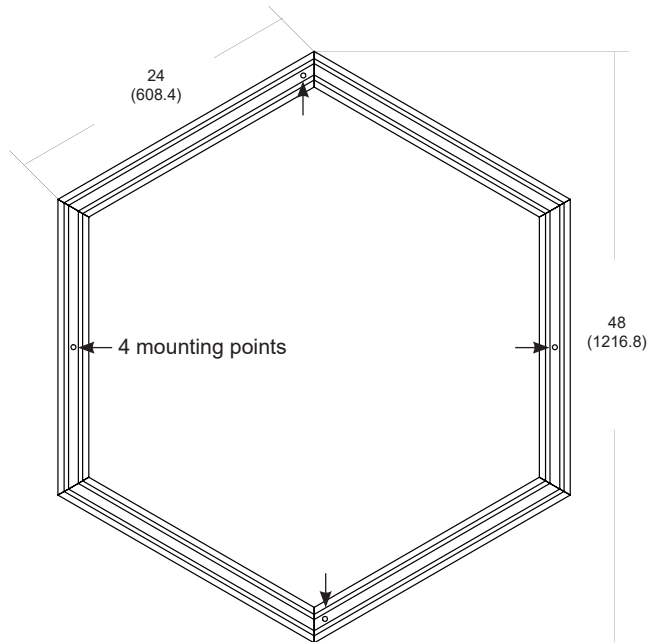
Dimensions



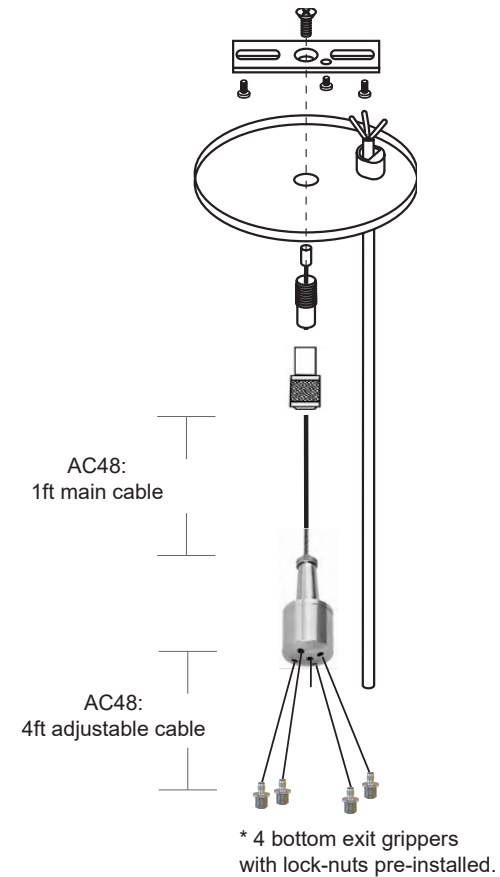
Specifications: CUBE2-HEX

Width: 2.5 (64)
Depth: 4 (101)

All dimensions are in inches
(millimeters).

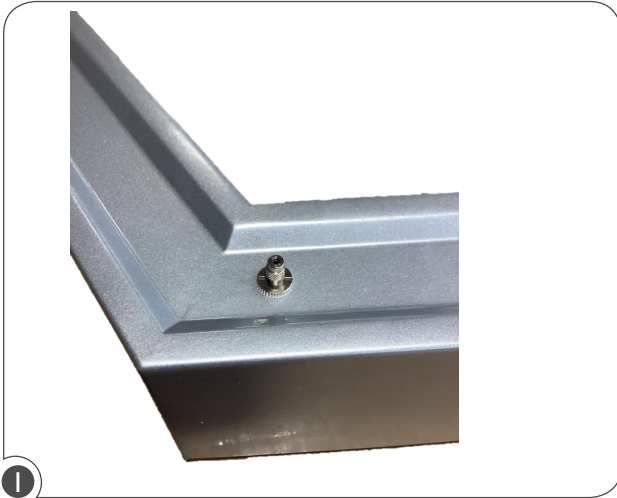


Mounting canopy information

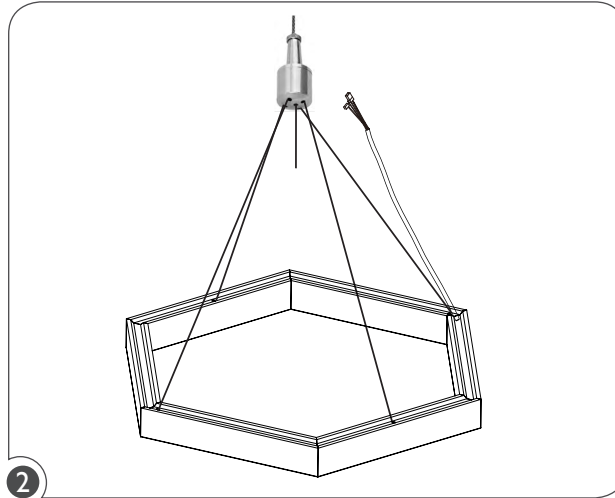


CUBE2-HEX

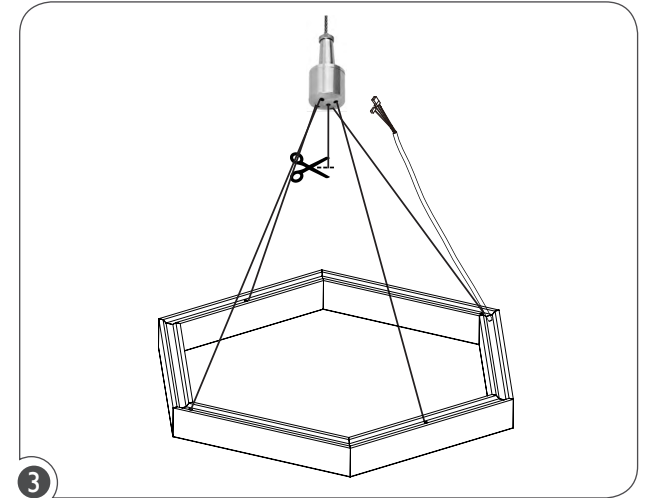
PENDANT CABLE INSTALLATION INSTRUCTIONS



Look for the (4) pre-installed grippers on top of the fixture.



Twist top of the pre-installed gripper to loosen the entrance, insert cables, and lock grippers. Adjust to the desired suspension length.



Cut the extra cable in the center once finish adjusting the suspension length.

