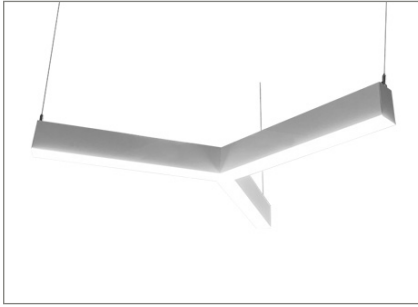


# CUBE2-Y

Project Name:	
Type:	



**APPLICATION**  
 The CUBE2-Y is a featured Architectural Shaped Linear fixture. Housing is formed by cold-rolled steel with a highly reflective dieformed white painted steel reflector. The snapin acrylic lens provides easy installation. It is used for multiple applications such as commercial, general office, banking, retail and educational environments.

**MOUNTING:**

- Pendant, surface mount.

**LED:**

- High quality arrayLEDs.
- Color Temperature: 2700/3000/3500/4000/5000 (K)
- Color Rendering Index: >80 (optional>90).
- Nominal Lamp Life: 100,000 hours.
- Reported L70 hours: +60,000 (55°C).

**ELECTRICAL:**

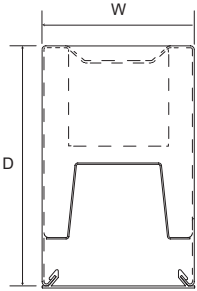
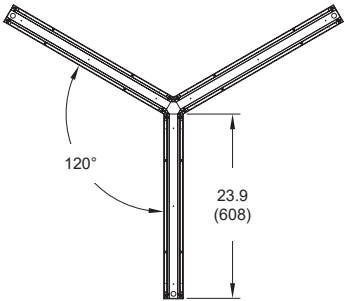
- High power factor electronic driver, operate from a 120 ~ 277 Vac input range, 50 / 60 Hz.
- Features included over voltage protection, surge, short circuit protection and over load protection.
- Power Factor: typical > 0.95, THD <20, meets Class1 or Class 2 circuit.
- 0-10V dimmable driver as standard.
- 0-10VDC dimming 1%~100%.
- Operating temperature: -4°F (-20°C) ~ 122°F (50°C).
- <ELCU-200>
- Guarantees emergency lighting remains ON or is turned on when power to the control device is lost.
- Interfaces with fire alarm panel or security system.
- "Watchdog" feature allows emergency loads to be controlled in tandem with normal power loads.
- UL listed for use in emergency circuits.

**FINISH:**

- Standard powder-coat textured white painted finish on exposed trim, consult factory for custom colors.
- Comes with snap-in acrylic lens as standard.

**LISTING:**

- UL / CUL listed.
- Listed to UL 1598 and UL 8750.
- UL listed for dry & damp location.
- CEC Compliant EM (please contact for more information)
- Assembled in USA (optional).
- BAA compliant (optional).
- 5 years limited warranty.
- 7 or 10 years limited warranty. (optional) <sup>4</sup>
- Bluetooth Mesh System available, please contact factory for more information.



Specifications: CUBE2  
 Width: 2.5 (64)  
 Depth: 4 (101)  
 All dimensions are in inches (millimeters).

# CUBE2-Y

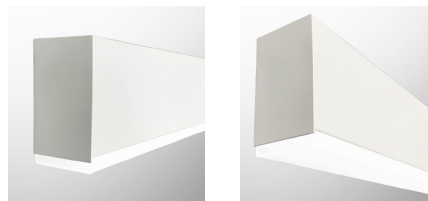
**CONFIGURATIONS**

Series	Model #	AC Input	Fixture Lumen Output (4000K)		Lumen Efficiency (4000K)
CUBE2-Y	D18L	29.7W	3842.58 lm (100% Down)		2047.52 lm / 129.38 lm/W
	D27L	44.55W	4925 lm (100% Down)		2622.01 lm / 110.55 lm/W
	D36L	59.4W	6367.08 lm (100% Down)		3071.27 lm / 107.19 lm/W
	D48L	79.2W	8434.8 lm (100% Down)		3196.01 lm / 106.5 lm/W
	D54L	89.1W	9400.14 lm (100% Down)		3689.1 lm / 105.94 lm/W
	18L/18L	59.4W	3900.78 lm (57.6% Down) / 2871.41 lm (42.4% Up)		6772.19 lm / 114.01 lm/W
	27L/18L	74.25W	4955.60 lm (63% Down) / 2910.44 lm (37% Up)		7866.04 lm / 105.94 lm/W
	27L/27L	89.1W	5307.16 lm (57.6% Down) / 3906.67 lm (42.4% Up)		9213.83 lm / 103.41 lm/W
	36L/18L	89.1W	6280.17 lm (65.5% Down) / 3307.88 lm (34.5% Up)		9588.08 lm / 107.61 lm/W
	48L/18L	108.9W	7149.6 lm (64.6% Down) / 3917.9 lm (35.4% Up)		11067.5 lm / 101.63 lm/W
	48L/27L	123.75W	7457.98 lm (59.3% Down) / 5118.72 lm (40.7% Up)		12576.7 lm / 101.63 lm/W
	54L/18L	118.8W	8812.88 lm (73% Down) / 3259.57 lm (27% Up)		12072.45 lm / 101.62 lm/W
	54L/27L	133.65W	9420.21 lm (65.5% Down) / 4961.79 lm (34.5% Up)		14382 lm / 107.61 lm/W

CCT	Multiplier		
	3000K	3500K	5000K
Down only	0.9642	0.9822	1.0357
Up&Down	0.971	0.9856	1.029

**OUTPUT CURRENT**

SW1	SW2	Bi-Level		Tri-Level (Default)	
		Config Range	Default	Config Range	Default
Close	Open	10% - 70%	40%	10% - 70%	30%
Open	Close	10% - 70%	40%	10% - 70%	70%
Close	Close	100%	100%	100%	100%
Open	Open	0%	0%	0%	0%



DROP LENS

# CUBE2-Y

ORDERING INFORMATION

EXAMPLE: CUBE2-Y-D27L-40K-UNV

MODEL	SHAPE		LED Downlight		LED Uplight <sup>1</sup>		COLOR TEMP.	
CUBE2	Y	Y shape	(Blank)	No Downlight <sup>21</sup>	(Blank)	No Uplight	(Blank)	Leave blank if you wish to have different CCT for up and down, and fill out next section 2700K <sup>22</sup> 3000K 3500K 4000K 5000K
	CM	Must provide a sketch	D18L	18W LED	/U18L	18W LED	-27K	
			D27L	27W LED	/U27L	27W LED	-30K	
			D36L	36W LED			-35K	
			D48L	48W LED			-40K	
			D54L	54W LED			-50K	

\* Number of circuit(s) should be determined by the customer prior to ordering the continuous run considering the AC input voltage and total run wattage.      \* Maximum wattage per Y(2ft Leg) - 133.65W (up & down light)  
\* Contact factory for custom wattage or lumen requirement.

SEPARATE CCT.		CRI		MOUNTING		VOLTAGE		EM SECTION <sup>2</sup>	
(Blank)	Leave blank if you chose to have the same CCT for up and down in the previous section Indicate 27,30,35,40, or 50 for XX and YY (D represents Downlight, U represents Uplight)	(Blank)	80+ CRI	(Blank)	Pendant	UNV	120-277V	(Blank)	None EM
DXXUYY		C9	90+ CRI <sup>8</sup>	S	Ceiling Surface	120	120V	1SE	1 Section
							277	277V	2SE
						347	347V <sup>12</sup>	xSE	x Section


FIXTURE FINISH <sup>9</sup>		CORD FINISH (for pendant)		CANOPY FINISH (for pendant)		CEILING TYPE (for pendant)		SUSPENSION LENGTH (for pendant)	
(Blank)	Matte White RAL #9003 (Std.)	(Blank)	White (Std.)	(Blank)	White (Std.)	X1	15/16" grid T-bar ceiling	AC48	Adjustable Aircraft Cable Canopy 48"L
*BK	Black RAL #9011	*BKC	Black	*BC	Black Canopy	X2	Hard ceiling	AC96	Adjustable Aircraft Cable Canopy 96"L
*SV	Silver (RAL #9022)			*SC	Silver Canopy	X3	Sloped Hard ceiling	ST24	Stem Canopy 24"L
**CC	Custom Color <sup>10</sup>			**CSS	Custom Canopy Color (White is Std.)	X4	9/16" T-bar ceiling	ST48	Stem Canopy 48"L
*AMB	Anti-Microbial Coating (Matte Skye White)								<small>* Contact factory for custom length. 1 pair (2 aircraft cables) standard for up to 8' length.</small>

\* Non-standard finish with extra charge.      \*\* Additional charge & set up fee.

LED DRIVER		OPTIONS	
(Blank)	0-10V dim to 1% (Std.) (dim both uplight and downlight simultaneously)	EMG8	1296 LUMEN EM Battery Backup (CEC Compliant EM) <sup>6, 20</sup>
UDSD	Separate Dimming Control of Uplight and Downlight (0-10V dim to 1%) <sup>3, 11</sup>	EMG15	2430 LUMEN EM Battery Backup (CEC Compliant EM) <sup>6, 20</sup>
SP	Separate Power Control for Uplight and Downlight	EMG20	3240 LUMEN EM Battery Backup (CEC Compliant EM) <sup>6, 20</sup>
ES566	eldoLED SOLOdrive Natural Dimming to dark, 0-10V, 100% ~ 0.1% dim	EMG25	4050 LUMEN EM Battery Backup (CEC Compliant EM) <sup>6, 20</sup>
SD40	40% / 100% Bi-Level Step dim	ELCU-200	Fail-to-on Emergency lighting, UL924 <sup>7</sup>
SDXX	XX% / 100% Bi-Level Step dim (Specify XX : 10% ~ 70%)	GTD	Bodine Generator Transfer Device
PHSR	Philips Xitanium Sensor-Ready, Dali 5%~100% dim.	GTD10DIM	Bodine Generator Transfer Device (0-10VDC Dimmer Override)
PHDL	Philips Xitanium DALI driver, Dim to 5%	F1	Single Fuse <sup>13</sup>
ED560	eldoLED LightShape DALI dim to dark, 0.1% ~ 100%	F2	Double Fuse <sup>13</sup>
TDM	Triac Dim. (120V only)	ARRA	Assembled in USA for Buy American Act
TD30/70	30% / 70% / 100% Tri-Level Step dim	BAA	BAA(Buy American Act) and BABA(Build America Buy America) compliant
TDXX/YY	XX% / YY% / 100% Tri-Level Step dim (Specify XX, YY : 10%~70%)	O7W	Optional 7 Years Limited Warranty <sup>4</sup>
LDE1	Hi-lume 1% EcoSystem LED driver with Soft-on, Fade-to-Black dimming technology, 100% ~ 1% dim	O10W	Optional 10 Years Limited Warranty <sup>4</sup>
ELV	ELV compatible (reverse-phase or trailing-edge), (120V only)	COC	Separated EM feed for City of Chicago code compliance
TRIOT	Tridonic IoT ready, 1-100% dim via Smart Module Interface (SMI), automated dimming/lighting controls via Enlighted Sensor Interface	UPC	Indirect Light Cover
DTO	0-10V DIM-TO-OFF	DROP	1/2" drop lens
DMX	DMX512 control system (Only available with RGB+W option)	E1F	End feed on one end (Pre-drilled hole for 1/2" fitting)
DLM	Wattstopper's DLM interface (Only available with RGB+W option)	E2F	End feed on both ends (Pre-drilled holes for 1/2" fitting)
LTEA2W	Hi-lume 1% 2-wire LED driver (120V forward phase only) <sup>19</sup>		
BLT	Bluetooth Mesh System (contact factory for more information)		

# CUBE2-Y

CONTROLS	
<p><b>AMS</b> <b>DPMS</b> <b>SO</b> <b>LSR-301-S</b> <b>LSR-301-P</b>  <b>LOS-502S-x-y</b> <b>LOD-500S-x-y</b> <b>BED-500S-x</b> <b>RS-LRD</b> <b>LBS-700N</b> <b>LDD-700S</b></p>	<p>&lt;Integrated Sensors&gt; WALL MOUNT DOES NOT APPLY Bluetooth Mesh Wireless Sensor. Occupancy/Daylight/0-10V Dimming Daylight Dimming Photo Sensor (0-10 VDC Control), (LSR-301-S required if FD-301 is installed)<sup>28</sup> Dimming Wires connected to Sensor Only (available option on FS-205 non-Bluetooth AMS sensor only)<sup>5</sup> Setup Remote Control for DPMS (Required for DPMS) Occupant Remote Control for DPMS &lt;Ceiling / Wall mount Sensors&gt;<sup>14</sup> PIR occupancy sensor, no dimming support, 120-277V, adjustable with DIP switch (See note 15, 17 to select mounting type "x" and lens "y") Bi-level 0-10V occupancy sensor, 120-277V, adjustable with DIP switch (See note 15, 18 to select mounting type "x" and lens "y") Daylight sensor for daylight harvesting control, 0-10V high/low dim or SmartDim control, 120-277V, controlled with IR remote programmer. (See note 16 to select mounting type "x") IR remote programmer for LRD-509S, BED-500S series On/Off occupancy and vacancy sensor, line voltage, 120-277V, adjustable via DIP switch Dual-tech bi-level wall switch occupancy sensor (PIR &amp; HFD), line voltage with 1-pole SLV for on/off switching and 0-10V for manual dimming, 120-277V, adjustable via DIP switch</p>

LIGHTING CONTROL SYSTEM			
<p><b>LUTRON VIVE</b></p>  <p><b>SNS200</b> <b>SNS200C</b> <b>RS-IR</b></p>	<p>&lt;Lutron VIVE System Enabled&gt; <a href="#">Click Here!</a></p> <p>&lt;EasySense&gt; EasySense Fixture-mount occupancy sensing, daylight harvesting and task tuning in one device (Must be ordered with PHSR driver)<sup>23,24</sup> EasySense Ceiling-mount occupancy sensing, daylight harvesting and task tuning in one device<sup>23,24</sup> IR dongle v2.0 for EasySense control</p>	<p><b>SU-5E-IoT</b> <b>SU-5E-CL</b>  <b>RS-WS</b>  <b>TMC-SU-5E</b> <b>30N</b> <b>7F</b>  <b>ELIOP-SR</b> <b>ELIOP-LR</b> <b>SR-W</b> <b>DR-W</b></p>	<p>&lt;Enlighted&gt; Enlighted IoT-Ready Indoor Micro sensor with occupancy/vacancy detection, daylight harvesting, thermal sensing, task tuning, and room and zone control, Bluetooth enabled<sup>25,26</sup> Enlighted Indoor Micro sensor with occupancy/vacancy detection, daylight harvesting, thermal sensing, task tuning, and room and zone control, Bluetooth enabled (Connected lighting sensor only) Enlighted Room controller providing basic control functions of a standard wall switch with preset dimming capability Tile Mount Carrier<sup>27</sup> 30in extension cable 7ft extension cable &lt;Elite Control&gt; Bluetooth wireless PIR occupancy sensor with built-in daylight harvesting, short range Bluetooth wireless PIR occupancy sensor with built-in daylight harvesting, long range Bluetooth wireless single rocker pad, white finish Bluetooth wireless double rocker pad, white finish</p>

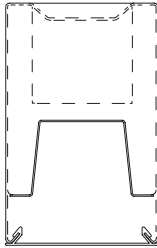
**NOTES:**

- Pendant, wall mount only.
- EM is installed in last 4" of luminaire sections. Separate section required 2SE or specified. Must specify voltage, not available with 347V.
- For separate dimming control, please be advised it may not be available when EM battery backup is added due to limited space. Please contact us for more information.
- This limited warranty covers electrical parts only and does not apply to labor, equipment lease, or defect from improper installation or operation.
- Dimming wires provided and connected to sensor only, not for dimmer switch.(available with AMS and DPMS option)
- Contact factory for other emergency ballast options.
- Shipped separately.
- Lumen per watt is around 15% less than standard CRI (80+).
- Cord is available in white or black. (Black is not available for the EM option)
- Refer to color charts (RAL and/or Cardinal) in the separate attachment.
- Can have up to 2 power feeds depending on the configuration.
- 347V cannot work with Emergency Battery Backup.
- Must specify voltage, not available with 347V.
- Wall mounted fixture MUST choose the sensor from the following list. Shipped separately.
- "x" = S : Ceiling Surface  
C : Junction Box
- "x" = S : Ceiling Surface  
C : Junction Box  
R : Ceiling Recess
- "y" = A : Standard cone shape Lens @ 15' height (up to 2x height coverage)  
B : Extra wide cone shape Lens @ 10' height (up to 6X height coverage)  
C : High bay cone shape Lens @ 30' height (up to 3X height coverage)  
D : Standard round shape Lens @ 20' height (up to 2X height coverage)  
E : Extra wide dome shape Lens @ 20' height (up to 4X height coverage)  
F : Aisle way arch shape Lens @ 40' height (up to 3X height coverage)  
G : High bay dome shape Lens @ 50' height (up to 1X height coverage)
- "y" = A : Standard cone shape Lens @ 15' height (up to 2x height coverage)  
B : Extra wide cone shape Lens @ 10' height (up to 6X height coverage)  
C : High bay cone shape Lens @ 30' height (up to 3X height coverage)  
D : Standard round shape Lens @ 20' height (up to 2X height coverage)  
E : Extra wide dome shape Lens @ 20' height (up to 4X height coverage)  
F : Aisle way arch shape Lens @ 40' height (up to 3X height coverage)jvb
- Not available with any 1ft individual configuration due to space limitations.
- For 3ft configuration, EM can only be remote mounted. Remote box is provided by others.
- Downlight cover may ship separately depending on the configuration.
- Available with C9 (CRI 90+) only.
- See NFC and IR manual in the separate attachment.  
If your phone is not compatible, please order "RS-IR" and follow the manual.
- Refer to Advanced Grouping Datasheet for its default setting and compatible wireless switches.
- "RS-WS" option can be added if wish to have a wall switch, please see Enlighted Room Controller in the separate attachment.
- Must be ordered either with 0-10V LED driver or TRIOT (IoT-Ready LED driver).
- Must be ordered for wall mount.
- Automatic on/off is not available. For automatic on/off, additional occupancy sensor is required or a manual on/off switch can be done.

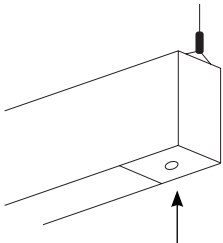
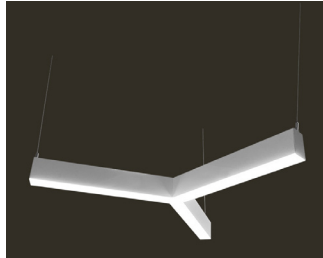
# CUBE2-Y

## - MOUNTING DETAILS

Surface



CABLE



Sensor Plate

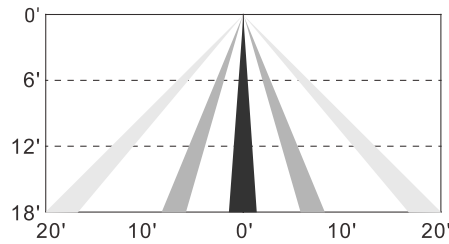


Lutron Vive Integral  
fixture control installation

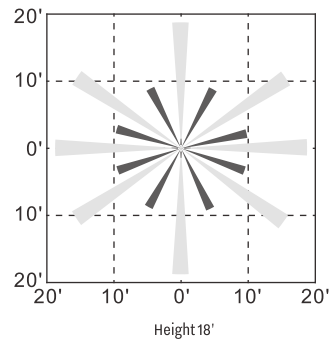


EasySense  
fixture-mount installation

SIDE VIEW



TOP VIEW



AMS coverage pattern

# CUBE2-Y

**COMPATIBLE DIMMER SWITCH (TABLE 1)**

Model #	Brand	Compatible Dimmer Switch	
(Blank)	-	<Leviton>	IlumaTech IP7 series
		<Lutron>	Visit <a href="http://www.lutron.com/advance">www.lutron.com/advance</a> for a list of dimmers (Mark VII) that will work with this driver.
		<Philips>	Sunrise : SR1200ZTUNV
ES566	eldoLED SOLOdrive	<Busch-Jaeger>	2112U-101
		<Jung>	240-10
		<Leviton>	IlumaTech - IP710-DLX
		<Lightoller Controls>	ZP600FAM120
		<Merten>	5729
		<Pass & Seymour>	CD4FB-W
		<Wattstopper>	DCLV1
		<Sensor Switch>	nIO EZ
		<Synergy>	ISD BC
		<ABB>	SD/S 2.16.1
		<Lutron>	Nova T: NTFTV Diva - DVTV-xx, NFTV GRAFIK Eye: GRX-TVI w GRX3503 Energy Savr Node: QSN-4T16-S TVM2 Module
		<Crestron>	GLX-DIMFLV8, GLXP-DIMFLV8, GLPAC-DIMFLV4-*, GLPAC-DIMFLV8-*, GLPP-DIMFLVEX-PM, GLPP-1DIMFLV2EX-PM, GLPP-1DIMFLV3EX-PM, DIN-AO8, DIN-4DIMFLV4, CLS-EXP-DIMFLV, CLCI-1DIMFLV2EX
		ED560	eldoLED DUALdrive
LDE1	Lutron Hi-lume 1% EcoSystem	<Lutron>	PowPak Dimming Modules: RMJ-ECO32-DV-B, FCJ/FCJS-ECO <sup>1,2</sup> Energi Savr Node (120V only): QSN-1ECO-S, QSN-2ECO-S GRAFIK Eye QS/Homeworks QS control unit (120V only): QSGRJ- _E(wireless) QSGR- _E Quantum Hub (120V only): QP2-__2C/4C/6C/8C Homeworks QS/myRoom Plus power module (120V only): LQSE-2ECO-D
PHSR <sup>3</sup>	Philips Xitanium Sensor-Ready	<Ilumra>	<u>Single Rocker Self-Powered Light Switch (on/off, dim-up/down)</u> Ilumra# ZBT-S1AWH Digi-Key# 1082-1033-ND <u>Dual Rocker Self-Powered Light Switch (on/off, dim-up/down, scene1,2)</u> Ilumra# ZBT-S2AWH Digi-Key# 1082-1034-ND
TDM	KEYSTONE	<Lutron>	Diva DV-600P, SkyLark S-600P, Ariadni AY-600P, Ariadni TG-603P, Maestro MA-600 (Digital), Diva CFL/LED DVCL-153P, Satin Colors DVSC-600P-SW
		<Leviton>	6641, IlumaTech IPI06-1LX, ToggleTouch TGI06-1LW (Digital)
ELV	KEYSTONE	<Lutron>	MAELV-600BL (Digital), DVELV-300P, SkyLark SELV-300P
DTO	Philips Xitanium Gen.2 Philips Xitanium Sensor-Ready	<Lutron>	Nova T: #NTSTV-DV <a href="http://www.lutron.com/TechnicalDocumentLibrary/NovaTB.pdf">http://www.lutron.com/TechnicalDocumentLibrary/NovaTB.pdf</a> See page13.
LTEA2W	Lutron Hi-lume 2-wire (120V forward voltage only)	<Lutron>	Visit <a href="http://www.lutron.com/TechnicalDocumentLibrary/369543_ENG.pdf">http://www.lutron.com/TechnicalDocumentLibrary/369543_ENG.pdf</a> for a list of compatible dimmer switches.

**NOTES:**

- All devices connected to one FCJ/FCJS-ECO will be controlled together. Devices will dim to the same level as the result of a control command. For more detail on adjusting low-end light level refer to Application Note#556 at [www.lutron.com](http://www.lutron.com).
- For the Line/Hot (L/H) terminal on the driver, it is preferred not to use the switched hot (red) wire from the control but rather the hot wire directly from the power source.
- Recommended for EasySense System.