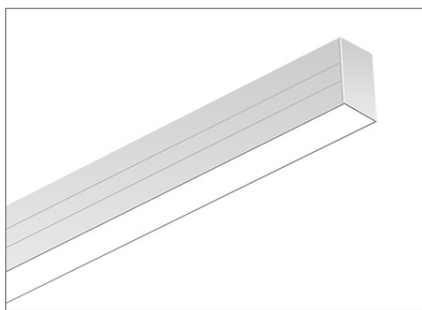


EB3 Recessed

Project Name:	
Type:	



APPLICATION

EB3 Recessed 2.3" linear lighting is a unique linear series that brings any space to the center stage and available in recessed mounting. (Please refer to other EB3 spec sheet for pendant, surface, and wall mounting options.) These timeless, streamlined forms blend well with contemporary decors and modern workplaces. These linear luminaries are available in 2ft, 3ft, 4ft and 8ft, simply provide wide, powerful lighting to any atmosphere with continuous runs. It can provide smooth downlight, allowing for wider spacing between fixtures and better ceiling light uniformity. Unleash lighting design flexibility with EB3 with different shapes and patterns, it adds fun factor into each room. These creations will let you suggest rhythm, communicate meaning and showcase element of life.

FEATURES:

- It offers a selection of professional lens such as standard flat lens, regressed lens and wall wash.
- Available in 2', 3', 4' and 8', individual units or continuous runs.
- Custom pattern with optional L shape lit joiners.
- Extruded aluminum housing.
- Powder coated white finish as standard (contact factory for other optional finishes)
- Seamless with Line joiner with no socket shadows or hot-spots.

MOUNTING:

- Compatible with T-bar and drywall ceiling (trimless spackle flange).
- Mounting kits are shipped separately for field installation.
- Individual or continuous run, up to 40ft in 120V AC, 100ft in 277V AC
- Custom Pattern with optional L shape lit joiners.

LED:

- Wattage selectable (50%/75%/100%)
- CCT adjustable from 3000K, 3500K, 4000K
- IES LM-80 tested.
- Color Rendering Index: >80
- Minimum 50,000 hours life with 87.8% lumen maintenance in 25°C ambient temperature.

ELECTRICAL:

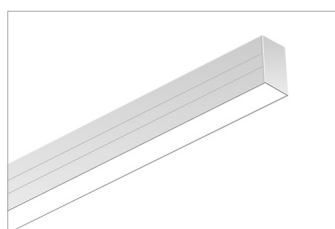
- High power factor electronic driver, operate from a 110 ~ 277 Vac input range, 50 / 60 Hz.
- Features included over voltage protection, surge, short circuit protection and over load protection.
- Power Factor: typical > 0.95, THD <20, meets Class1 or Class 2 circuit.
- Standard 0-10V dimming which continuous dims to 10% that works with low voltage dimming controls.
- Operating temperature: -4°F (-20°C) ~ 122°F (50°C).

FINISH:

- Standard powder-coat textured white painted finish on exposed trim, consult factory for custom colors.

LISTING:

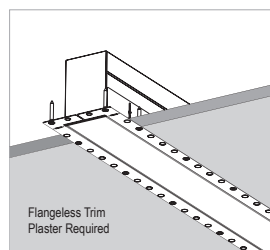
- UL / CUL listed.
- UL listed for dry & damp location.
- 5 years limited warranty.



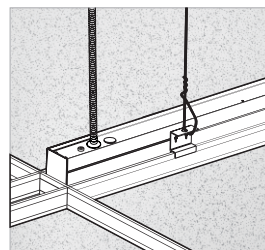
Flat Lens



Regressed Lens



SF Mounting option



G1 Mounting option

EB3 Recessed

ORDERING INFORMATION

EXAMPLE: EB3-IND-4-3S-3T-UNV

MODEL	ROW ¹	SECTION ²	LED	COLOR TEMP.	MOUNTING
EB3-IND (Individual Mount) EB3-CON (Continuous Row Mount)	xx' Specify nominal overall row length	2 2' Length 3 3' Length 4 4' Length 8 8' Length	3S 100%, 75%, 50% adjustable	3T Selectable 30/35/40K	G1 T-bar ceiling SF Spackle flange(Trimless) ** Mounting kits are shipped separately for field installation
EB3-CM (Custom)	Must provide a sketch on the last page				

VOLTAGE	SHIELDING	FINISH	OPTIONS
UNV 120-277V	(Blank) Standard diffuser DR Deep Regressed WW Wall Wash	(Blank) White (Std.) CC Custom Color ³ <small>*Non-standard finish with extra charge.</small>	REM8 8W remote EM for field install REM25 25W remote EM for field install MS Occupancy Sensor Installed

NOTES:

- Specify only when Continuous Row Mount.
- Refer to length availability chart per shielding options.
- Refer to color charts (RAL and/or Cardinal) in the separate attachment.

CONFIGURATIONS

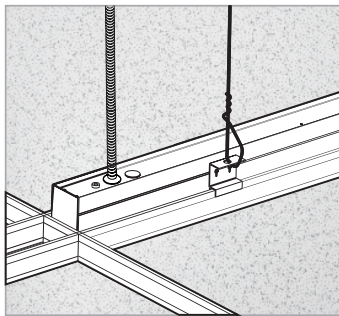
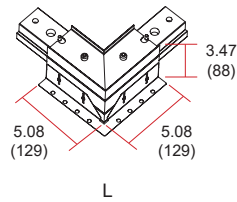
Series	Size	System Watts @ 100%	High (100%) - 10W/ft		Medium (75%) - 7.5W/ft		Low (50%) - 5W/ft	
			Lumen Output	Lumen Efficiency	Lumen Output	Lumen Efficiency	Lumen Output	Lumen Efficiency
Standard Diffuser	2'	20W	2300 lm	115 lm/W	1720 lm	115 lm/W	1150 lm	115 lm/W
	3'	30W	3450 lm		2580 lm		1725 lm	
	4'	40W	4600 lm		3340 lm		2300 lm	
	8'	80W	9200 lm		6880 lm		4600 lm	
Deep Regressed	2'	20W	1600 lm	80 lm/W	1200 lm	80 lm/W	800 lm	80 lm/W
	3'	30W	2400 lm		1800 lm		1200 lm	
	4'	40W	3200 lm		2400 lm		1600 lm	
	8'	80W	6400 lm		4800 lm		3200 lm	
Wall Wash	2'	20W	1600 lm	80 lm/W	1200 lm	80 lm/W	800 lm	80 lm/W
	3'	30W	2400 lm		1800 lm		1200 lm	
	4'	40W	3200 lm		2400 lm		1600 lm	
	8'	80W	6400 lm		4800 lm		3200 lm	

* Based on 4000K CCT

CCT	Multiplier	
	3000K	3500K
Down only	0.9642	0.9822
Up&Down	0.971	0.9856

EB3 Recessed

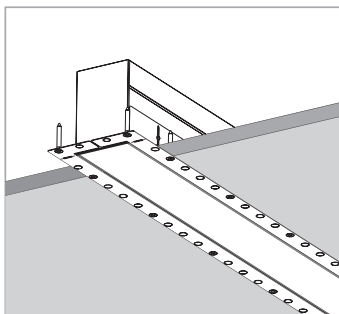
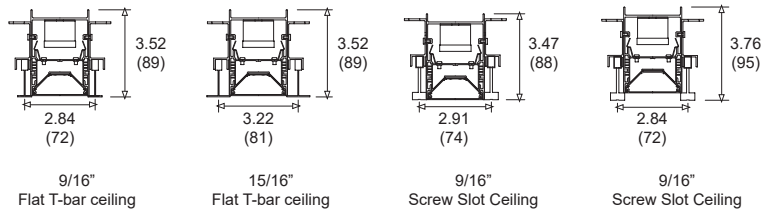
L shape joiner for SF mounting



Recessed T-bar ceiling

T-Grid Hook

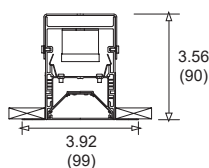
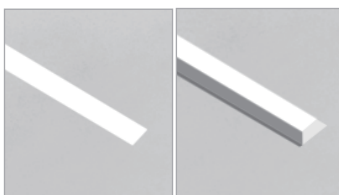
EB3 recessed luminaires offer grid mount which can fit easily in a variety of T-Grid ceiling types, allowing to be fully and seamlessly integrated into 9/16" flat, 9/16" slot or 15/16" flat T-grid ceiling types. It supports to be installed in individual or seamless continuous runs.



Recessed Mud-In Drywall Ceiling (Trimless)

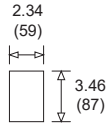
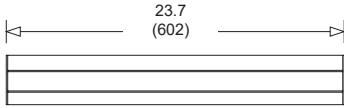
Drywall Spackle Flange - Trimless

EB3 recessed luminaires offer trimless drywall configurations. It is an innovative LED luminaires designed to deliver a modern aesthetic and complement today's interior spaces, perfect for high-end drywall applications requiring a small profile with seamless lines of light and no pixels or shadows.

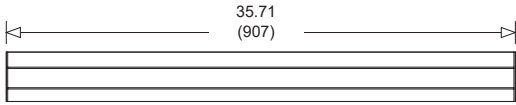


EB3 Recessed

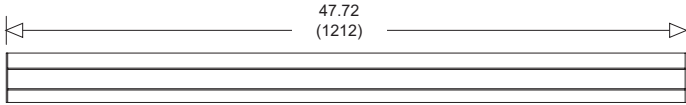
2FT



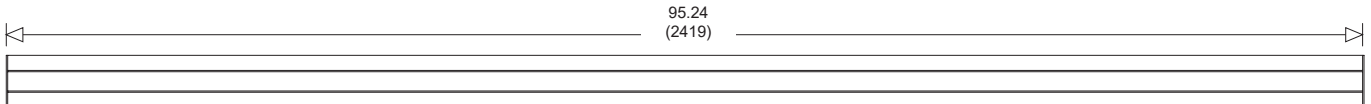
3FT



4FT

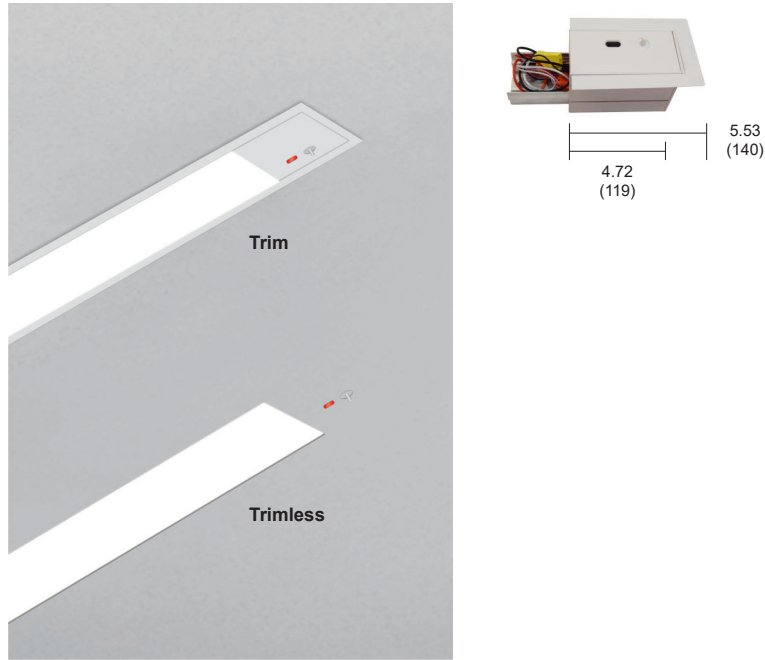


8FT

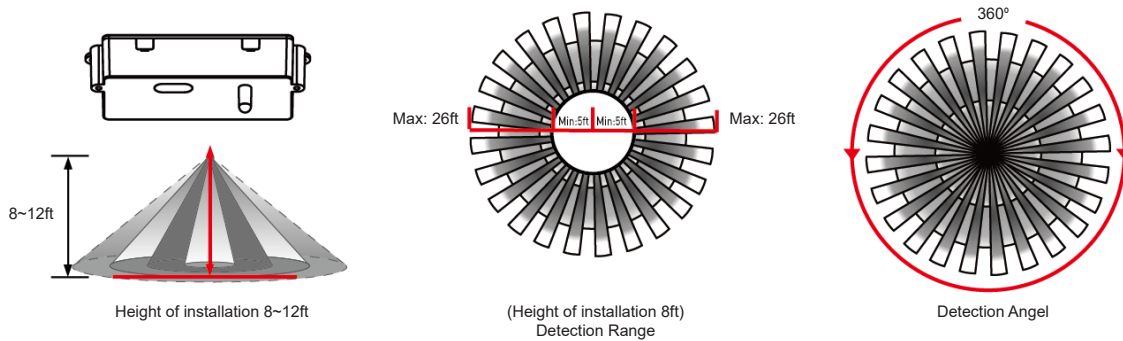


EB3 Recessed

MS (Occupancy Sensor Installed)



Sensor Coverage



ARCHITECTURAL EDGE BEAM LINEAR 2.3"

EB3 Recessed CUSTOM PATTERNS

Instruction:

- Please provide sketches illustrating corner types, overall dimensions including corner dimensions, and locations required.

