

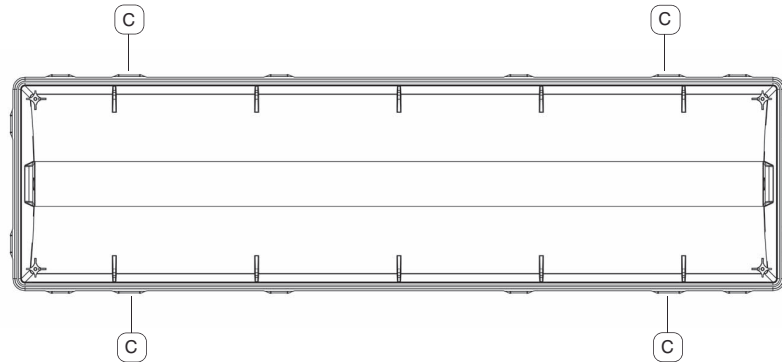
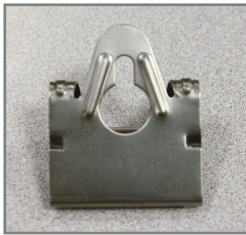
HV LED

INSTALLATION INSTRUCTIONS

V-hook / Chain / Cable / Ceiling Mount / Rigid Pendant Mount

The following holders are pre-installed at the location C shown below:

- V-Hook mount (Standard)
- Chain (provided by others)
- Cable (Option **ACxx**)
- Ceiling mount bracket (Option **CM**)
- Rigid Pendant Mount (Option **RGD**)

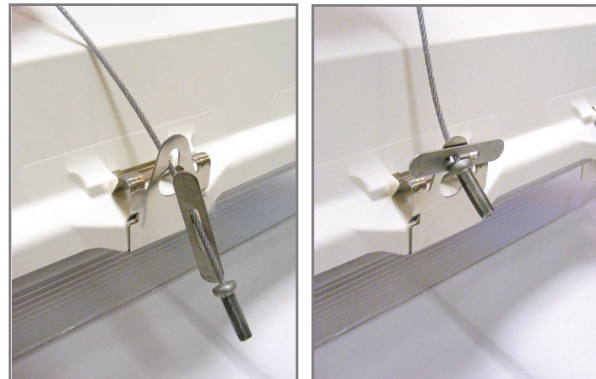


V-Hook (VH)

316 Stainless Steel
UL rated for 4X fixture weight
Max. weight of 23lbs



Cable (ACxx)

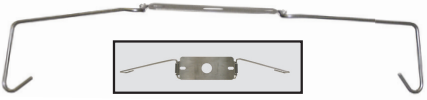


HV LED

INSTALLATION INSTRUCTIONS

Ceiling Mount Bracket (CM)

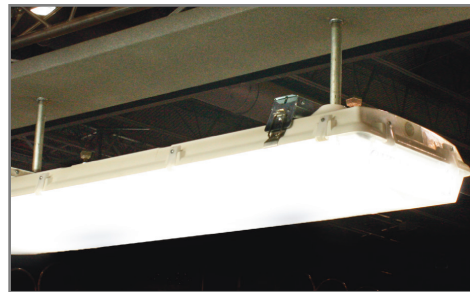
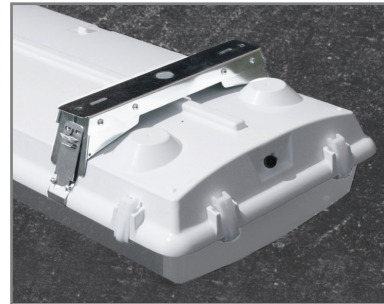
316 Stainless Steel Ceiling Mount attaches directly to the ceiling



1.25" gap between ceiling and fixture

Rigid Mounting Bracket (RGD)

316 Stainless Steel or Zinc Plated HSLA



* 1/2" pipe is provided by others

* Any damage caused from improper installation will void warranty and not be accepted for RGA (Return Goods Authorization). Improper installation includes but not limited to field-drilled hole(s), improper latch closure and any damage caused during installation.

Contractor is responsible for adequately reinforcing ceilings to support luminaire weight. Utopia Lighting accepts no responsibility for inadequately reinforced ceilings. The information contained in this drawing is the sole property of Utopia Lighting.

Any reproduction in part or whole without the written permission of Utopia Lighting is prohibited and warranty is voided.

- 2 -

