

Project Name:	
Type:	

L4-ICAT-LD-S

APPLICATION

IC and airtight 4" aperture housing is a dedicated LED new construction housing for use with LRT4 Series LED modules. Small aperture model of recessed down light housing is for accent and task lighting. It is design to use in insulated ceilings and can be in direct contact with ceiling insulation. Airtight housing prevents airflow between attic and living areas.

FEATURES:

- Recessed housing rated IC-airtight for new construction applications.
- Airtight fixture sealed and gasket to prevent airflow between plenum spaces and heated areas.
- Single wall housing and high quality die-cut one piece galvanized steel plaster frame.
- Housing can be removed from plaster frame for junction box access. Housing can be adjusted in plaster frame for ceilings up to 1" thick.
- IC housing for insulated ceilings and direct contact with insulation.
- Housing with thermal protector guards against misuse of insulation materials and improper lamping.
- 5-1/2" height allows use in 2"x6" joist construction.
- Ideal disconnect plug.

JUNCTION BOX:

- Galvanized steel junction box is listed for through branch circuit wiring and has seven 1/2" knockouts and four romex pry-out slots.
- Romex knockouts include built-in strain relief and require no additional clamps.
- Ground wire is provided on J-box.

BAR HANGERS:

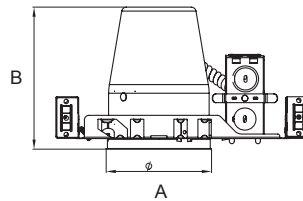
- Pre-installed adjustable bar hanger for span 24". www.utopialightingus.com
- No clips required. Secure bar hanger to T-bars with wires or screws.
- Integral captive nails included for fast and easy installation.

LISTING:

- UL/CUL listed for damp locations.
- UL/CUL listed for through-branch wiring minimum 90°C supply conductors.
- CSA certified.
- Meets the state of California Title 24 requirements.
- Meets the state of Washington restricted air flow requirements.

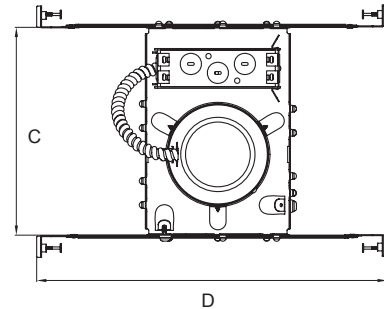
TRIMS:

- LED Retrofit modules with white painted self-flanged trims.
- Reflector.
- White trim is standard.



Dimensions

A: Ceiling Opening: 4-5/16" (109)
B: Height: 5-13/16" (147)



Dimensions

C: Frame Width: 8-1/2" (215)
D: Frame Length: 14-5/16" (363)

All dimensions are in inches.

Drawings are for dimensional detail information only.

UTOPIA LIGHTING reserves the right to change specifications, drawings, dimensions without prior notice. Visit our website for the latest product information.

**** L4-ICAT-LD (DOUBLE WALL) AVAILABLE IN LIMITED STOCK**

ORDERING INFORMATION

EXAMPLE: L4-ICAT-LD-S/LRT4-10LED/30-120-R100W

MODEL		RATED		CONNECTOR		LED RETROFIT MODULES ¹	
L4	4" Line Voltage Housing Housing Double Wall (New Construction)	ICAT	IC, Airtight Rated	LD	Plug-In Quick Connector	LRT4-10LED/30- 120-R100W	4" 10W LED 3000K, Retrofit White reflector trim
						LRT4-10LED/40- 120-R100W	4" 10W LED 4000K, Retrofit White reflector trim
OPTION							
10V	Provided with 0-10V Dimming Wires for use with LRT Series						

NOTES:

1. Please refer to LED retrofit modules LRT4 pages for further details.
Input Voltage: 120V, 60Hz
Dimmable with 120V only