

# LAP-2G

Project Name:	
Type:	



**APPLICATION**

For all applications in site, area, and general lighting requiring high uniformity, excellent vertical light distribution, reduced offsite visibility, reduced on-site glare and effective security light levels. The LAP luminaire delivers exceptional performance in a low-profile design.

**FEATURES:**

- Die-cast aluminium construction body on which electrical components.
- Die-cast integral heat sink to provide thermal management.

**MOUNTING:**

- PMS: Pole mount arm available for 3", 4" and 5" square pole.
- PMR: Pole mount arm available for 3" (PMR3), 4" (PMR4) and 5" (PMR5) dia. round pole.
- SF: Adjustable slip fitter mount available for pipe installation (1-21/32"O.D to 2-3/8"O.D)
- WM: Wall mount plate.
- Mounting arm bolts are 304 stainless steel and zinc-plated steel.
- MA: Available for 2.375"(O.D) sized Mast Arm Pole.
- MA2: Availabel for 1.900"(O.D) sized Mast Arm Pole.

**LED:**

- Color Temperature: 3000 / 4000 / 5000K
- Color Rendering Index: 70+ CRI.
- Nichia LED.
- Lifetime: over 50,000 hours.
- Optical lens is used to reduce glare.

**ELECTRICAL:**

- UL, FCC certified input voltage range: 100V-277V, 50/60Hz
- Power factor >90%, THD <20%
- 72LED: Class 2 LED electronic driver.
- 108LED, 141LED, 188LED: Class 1 electronic driver.
- Operating temperature: -40°C to 40°C (110W can reach +50°C).
- Provided with integrated surge protection (6kV line-line, 10kV line-earth).
- Optional integrated 10kV/10kA surge protection available (SP10).
- Over Voltage Protect : Hiccup mode. The power supply shall return to normal operation only after the power is turn-on again.
- Short Circuit Protect : No damage shall occur when any output operating in a short circuit condition. The power supply shall be self-recovery when the fault condition is removed.
- Over Temperature Protect : 110°C
- Meets ANSI/IEEE C62.41 Category C (outdoors) High.
- Waterproof (IP67) and UL Dry / Damp / Wet Location outdoor LED driver.
- RoHS compliant.
- Complies with Part 15 of the FCC Rules (meets 47 CFR 15, Class B).

**OPTIC:**

- UV stabilized polycarbonate lens.

**LISTING:**

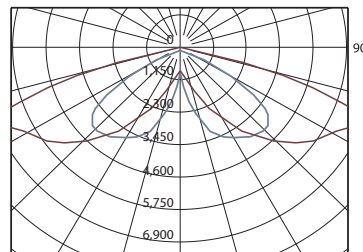
- UL / CUL listed.
- Listed to UL 1598 and UL 8750.
- DLC listed. <sup>3</sup>
- ARRA compliant (optional).
- BAA compliant (optional).
- Suitable for wet location.
- Tested to IESNA LM80 standards.
- LM79, LM80.
- 5 years limited warranty.
- 7 or 10 years limited warranty. (optional) <sup>4</sup>
- IP66 Rating.
- Certified to ANSI C136.31-2010, 3.0G Level 2 for Bridge/Overpass Applications.

# LAP-2G

## CONFIGURATIONS

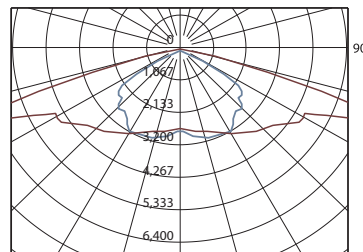
	Type	Input Rating	Efficiency (lm/w)	Total Lumen Output	Drive Current per LED	EPA Rating (w/o photocell)	EPA Rating (w/ photocell)	B.U.G. Rating	Weight (lbs/kg)
72	T2	72W	106.1	7644 lm	1.4 A	0.64	0.651	B3-U0-G3	23.17 lbs / 10.51 kg
	T3		123.3	8977 lm				B2-U0-G2	
	T4M		124.5	9064 lm				B2-U0-G2	
	T5S		127.4	9251 lm				B3-U0-G2	
	T5W		141.1	10158 lm				B5-U0-G3	
108	T2	108W	107.8	12359 lm	2.1 A	0.7	0.71	B3-U0-G3	25.38 lbs / 11.51 kg
	T3		109.7	11753 lm				B3-U0-G3	
	T4M		127.2	13650 lm				B3-U0-G3	
	T5S		129.6	13932 lm				B4-U0-G3	
	T5W		141.1	15238 lm				B5-U0-G3	
141	T2	137.9W	123.59	17048 lm	2.8 A	0.77	0.782	B3-U0-G3	26.7 lbs / 12.11 kg
	T3	141W	115.5	16370 lm				B3-U0-G3	
	T4M		126.8	17854 lm				B3-U0-G3	
	T5S		131.9	18831 lm				B4-U0-G1	
	T5W		141.1	19894 lm				B5-U0-G3	
188	T2	188W	112.3	21554 lm	3.8 A	0.9	0.914	B4-U0-G4	27.36 lbs / 12.41 kg
	T3		131.9	24645 lm				B4-U0-G4	
	T4M		121.6	22862 lm				B3-U0-G3	
	T5S		137.2	25856 lm				B5-U0-G3	
	T5W		141.1	26526 lm				B5-U0-G3	

Polar Candela Distribution (TYPE 3 medium + House Shield)



Downward Street Side	8,120.0	92.1%
Downward House Side	701.5	8%
Downward Total	8,821.5	100%

Polar Candela Distribution (TYPE 3 medium)

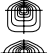
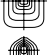
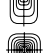
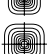
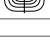


Downward Street Side	7,304.4	62.2%
Downward House Side	4,448.7	37.9%
Downward Total	11,753.1	100%

# LAP-2G

ORDERING INFORMATION

EXAMPLE: LAP-2G-108LED-50K-T3-UNV-DM-BZ-WM

MODEL	LED		COLOR TEMP.		DISTRIBUTION			VOLTAGE		DIMMING		FINISH	
LAP-2G	<b>72LED</b>	72W (40LEDs)	<b>-30K</b>	3000K	<b>T2</b>	Type II		<b>UNV</b> <b>347</b> <b>480</b>	120-277V (Std.) 347V 480V	<b>DM</b>	0-10V Dimming (Std.)	<b>BZ</b>	Dark Bronze RAL#8019 (Std.)
	<b>108LED</b>	108W (60LEDs)	<b>-40K</b>	4000K	<b>T3</b>	Type III							
	<b>141LED</b>	141W (80LEDs)	<b>-50K</b>	5000K (Std.)									
	<b>188LED</b>	188W (120LEDs)	<b>AMB</b>	Amber LED <sup>12</sup>	<b>T4M</b>	Type IV Medium							
	<b>xxxLED</b>	Customized Wattage/ Lumen package <sup>9</sup>			<b>T5S</b>	Type V Short							
					<b>T5W</b>	Type V wide							

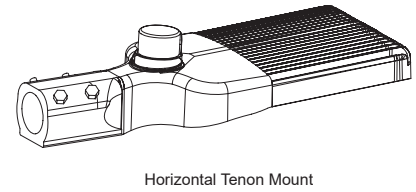
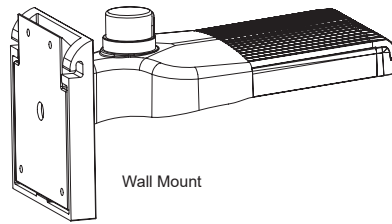
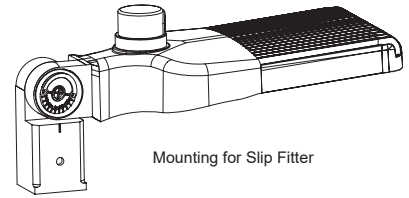
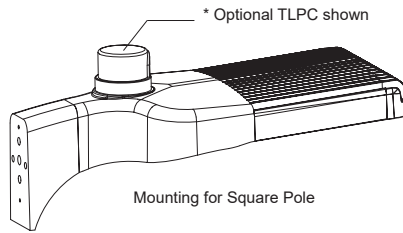
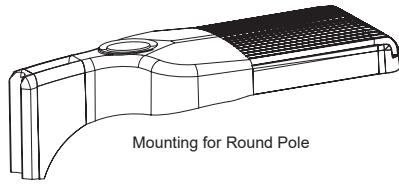
\* Available custom color (RAL)  
Please provide us with the RAL number.  
\* Non-standard finish with extra charge.

MOUNTING		OPTIONS			
<b>SF</b>	Slip Fitter	<b>HS</b>	House Shield	<b>LRD-309S-x</b>	0-10V Dimming Control Multi-level high/low step dim and Smart dim Occupancy Sensor (*IR remote programmable), (See note 7 to select lens for "x") <sup>6,8</sup>
<b>WM</b>	Wall Mount	<b>RC</b>	NEMA twist-lock receptacle only (no controls)	<b>LRD-509S-x</b>	IP-66 rated integrated 0-10V SmartDIM or multi-level high/low dim control occupancy sensor (*IR remote programmable), (See note 7 to select lens for "x") <sup>6,8</sup>
<b>PMS</b>	Square Pole Mount Arm	<b>RC7</b>	NEMA 7-wire receptacle only (no controls)	<b>RS-LRD</b>	Remote programmer for LRD-509S and LRD-309S
<b>PMR3</b>	3" Round Pole Mount Arm	<b>TLPC3</b>	3-Pin Receptacle and Twist Lock Photocell Installed 120V-277V	<b>PSC-BLE-SR</b>	McWong 0-10V Bi-level passive infrared (PIR) occupancy sensor with dim-to-off for Bluetooth Mesh in Silvair enabled
<b>PMR4</b>	4" Round Pole Mount Arm	<b>TLPC4</b>	3-Pin Receptacle and Twist Lock Photocell Installed 480V	<b>ARRA</b>	Assembled in USA for Buy American act
<b>PMR5</b>	5" Round Pole Mount Arm	<b>TLPC-SC</b>	Shorting Cap	<b>BAA</b>	BAA(Buy American Act) and BABA(Build America Buy America) compliant
<b>MA</b>	Horizontal Tenon Mount (Mounts to 2" IP, 2.375" O.D.)	<b>RS</b>	Remote handheld configuration tool for FSP-211 * Contact Factory for more options	<b>BR</b>	Bird Guard, Stainless Steel Spikes
<b>MA2</b>	Horizontal Tenon Mount (Mounts to 1-1/2" IP, 1.900" O.D.)	<b>SP10</b>	Integrated 10kV/10kA surge protection	<b>O7W</b>	Optional 7 Years Limited Warranty <sup>4</sup>
		<b>FSP-211</b>	0-10V Dimming Control Occupancy Sensor <sup>1,2</sup>	<b>O10W</b>	Optional 10 Years Limited Warranty <sup>4</sup>
		<b>(L2)</b>	FSP-L2 Lens @ 8' height (up to 44' diameter)	<b>REM16</b>	Remote 16W Emergency Battery Backup (CEC Compliant EM) in black finish <sup>10,11</sup>
		<b>(L3)</b>	FSP-L3 Lens @ 20' height (up to 40' diameter)	<b>316</b>	316 Stainless steel mounting arm bolts
		<b>(L7)</b>	FSP-L7 Lens @ 40' height (up to 100' diameter)	<b>ZINC</b>	Zinc finish

NOTES:

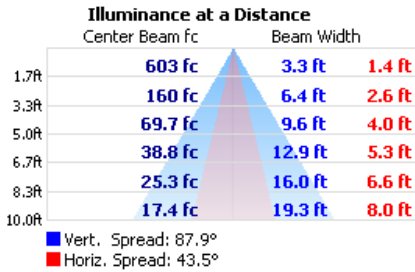
- Must specify lens. (L2, L3, L7)
- Default settings are Title 24 compliant for all spaces that do not require daylighting.  
For spaces that do require it, adjustments will be necessary for the Hold Off Setpoint and the Photocell functions.
- DesignLights Consortium® (DLC) qualified product. Not all versions of this product may be DLC qualified.  
Please check the DLC Qualified Products List at [www.designlights.org/QPL](http://www.designlights.org/QPL) to confirm which versions are qualified.
- This limited warranty covers electrical parts only and does not apply to labor, equipment lease, or defect from improper installation or operation.
- Standard dimming 0-10V, ANSI C136.41, Photocell and shorting cap by others.
- Its default setting can be found on the IR-TEC installation instructions.
- A:** Standard cone shape Lens @ 15' height (up to 30' coverage)  
**B:** Extra wide cone shape Lens @ 10' height (up to 60' coverage)  
**C:** High bay cone shape Lens @ 30' height (up to 90' coverage)  
**D:** Standard round shape Lens @ 20' height (up to 40' coverage)  
**F:** Extra wide dome shape Lens @ 20' height (up to 80' coverage)  
**G:** Aisle way arch shape Lens @ 40' height (up to 120' coverage)  
**H:** High bay dome shape Lens @ 50' height (up to 50' coverage)
- Order "RS-LRD" to adjust sensor setting.
- DLC is not available.
- Only available with Wall Mount.
- Remote Box is UL1598 recognized, IP66, IP67 rated, and ambient temperature up to 55°C.
- The proportion of radiated power in the 400nm-500nm segment is calculated to be 1.2%

# LAP-2G

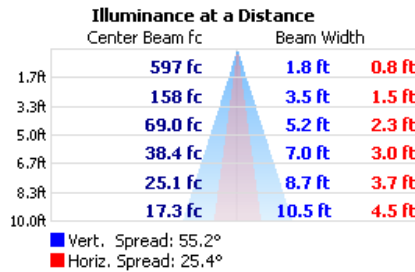


\* Effective Projected Area (EPA) with Square Pole Mounting.

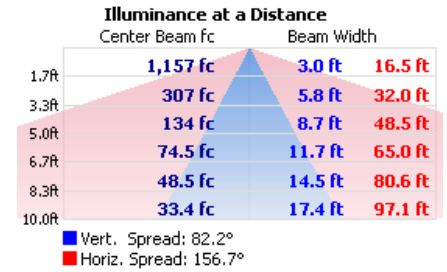
## LAP-2G-72LED-T2



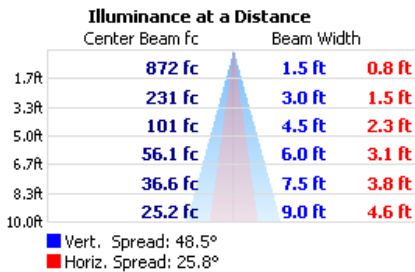
## LAP-2G-72LED-T4M



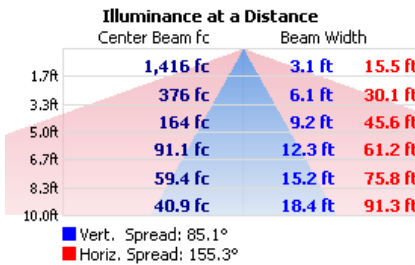
## LAP-2G-108LED-T2



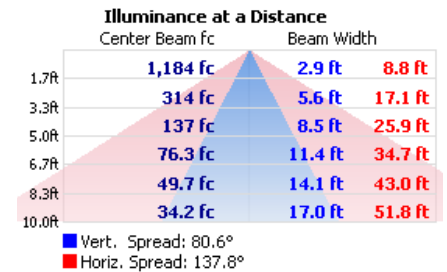
## LAP-2G-108LED-T4M



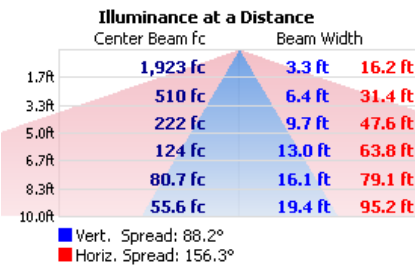
## LAP-2G-141LED-T2



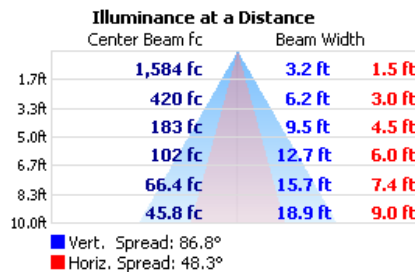
## LAP-2G-141LED-T4M



## LAP-2G-188LED-T2



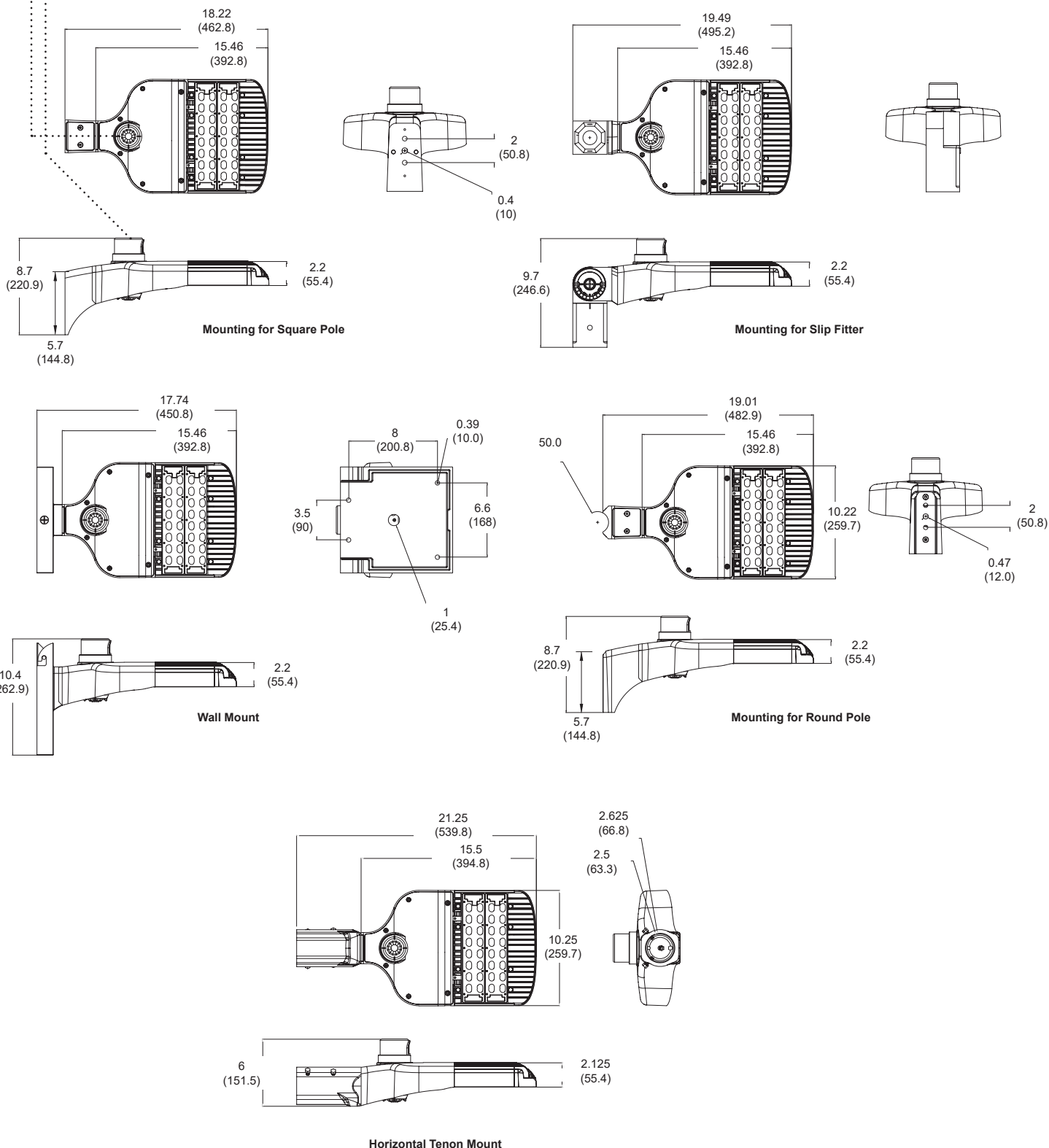
## LAP-2G-188LED-T4M



# LAP-2G

**72W**

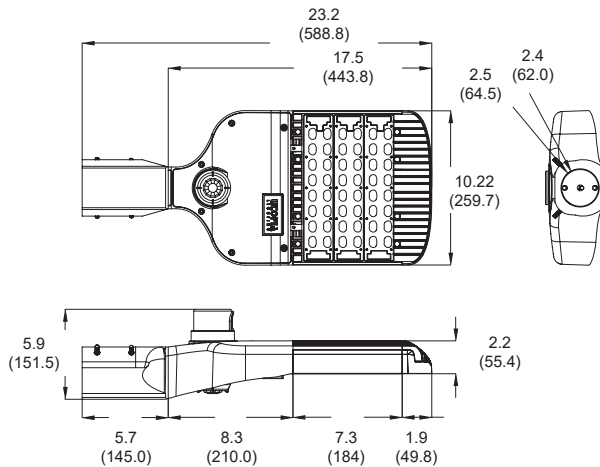
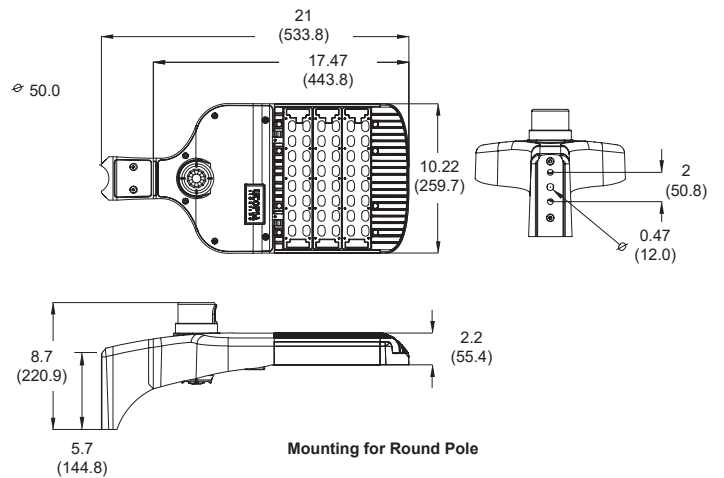
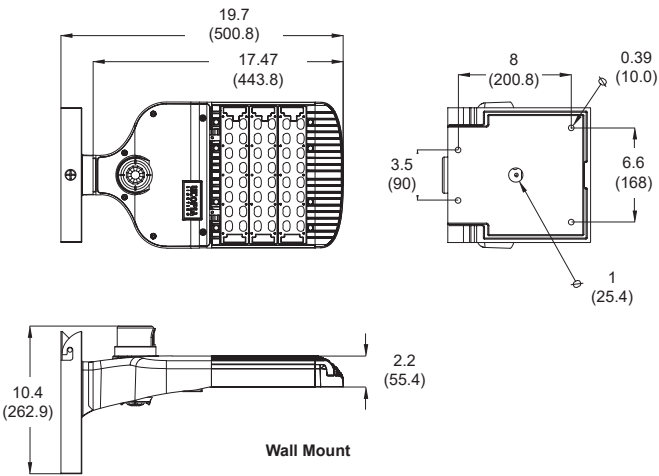
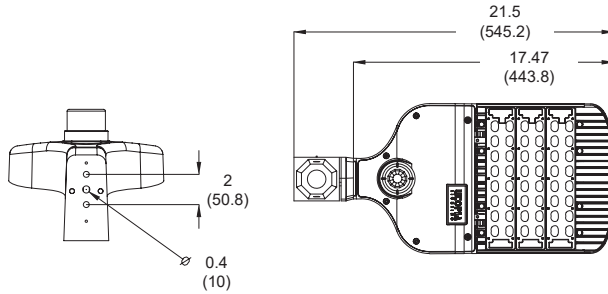
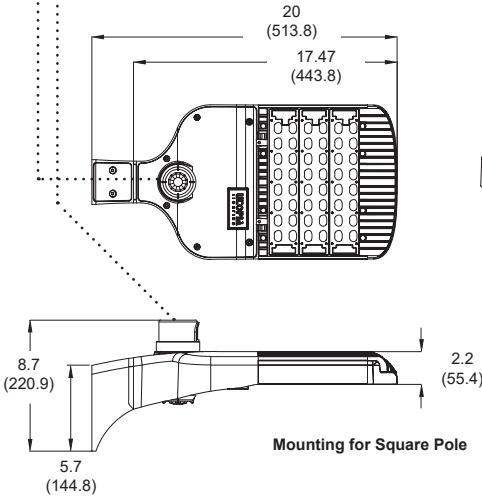
- \* Optional FSP-211 shown
- \* Optional TLPC shown



# LAP-2G

**108W**

- \* Optional FSP-211 shown
- \* Optional TLPC shown

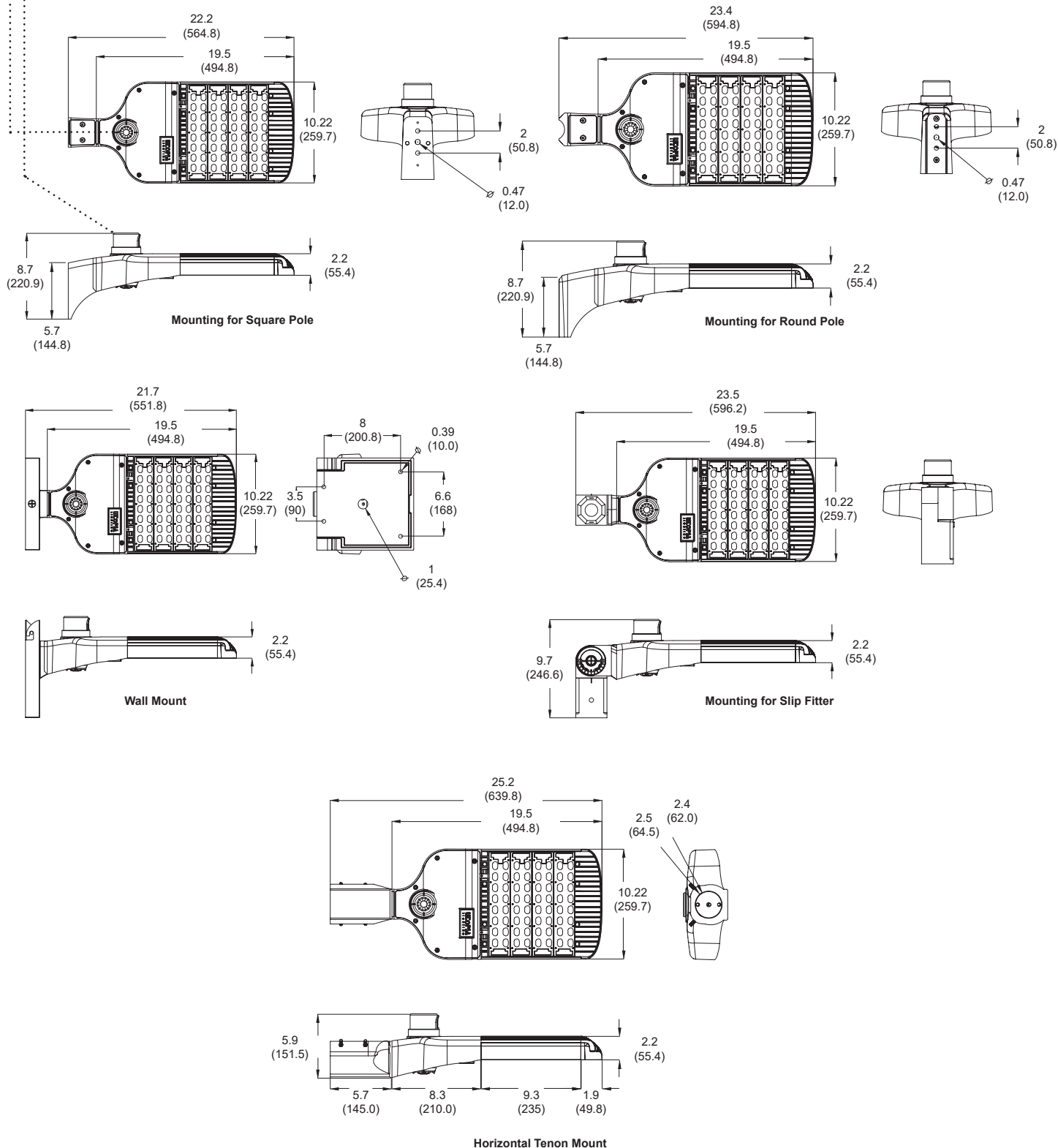


# LAP-2G

**141W**

\* Optional FSP-211 shown

\* Optional TLPC shown



# LAP-2G

**188W**

- \* Optional FSP-211 shown
- \* Optional TLPC shown

