



BEFORE YOU BEGIN

Read and follow all safety instructions



WARNING

RISK OF FIRE, EXPLOSION AND ELECTRIC SHOCK

- This product should be installed, inspected, and maintained by a qualified electrician only, in accordance with the NEC (National Electric Code) and all local codes.
- Turn off electrical power before inspection, installation or removal.
- Use only UL (or other NRTL) approved wire for input/output connections.
- Make sure LEDs and drivers are cool to touch when performing maintenance.
Make sure the supply voltage is the same as the rated voltage of the luminaire.
- Do not install in a hazardous atmosphere, except where the ambient temperature does not exceed the rated operating temperature of the fixture.
- Keep tightly closed when in operation



Prepare Electrical Wiring



Electrical Requirements

Must check if the local voltage range is correspond with the working voltage of the fixture. Use min. 75°C supply.



Grounding Instructions

The grounding and bonding of the overall system shall be done in accordance with NEC Article 600 and local codes.



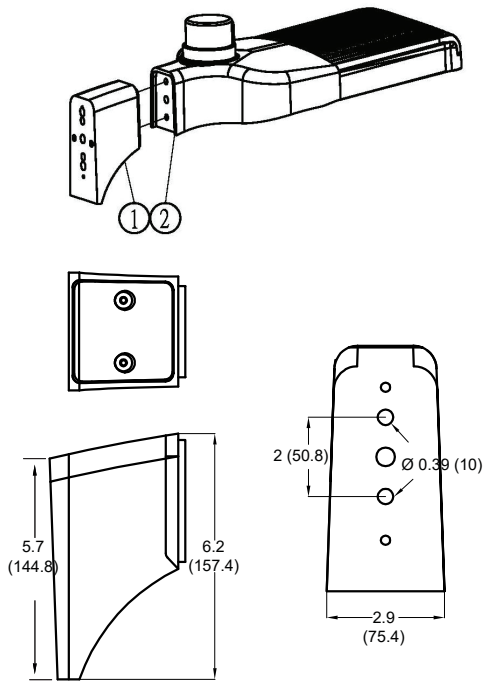
Follow all applicable safety procedures and use Personal Protective Equipment such as hardhats, safety glasses, reflective vest, electrical safety gloves, fall protection equipment and safety toe boots during the installation, operation, and maintenance of the luminaire.



LAP-2G

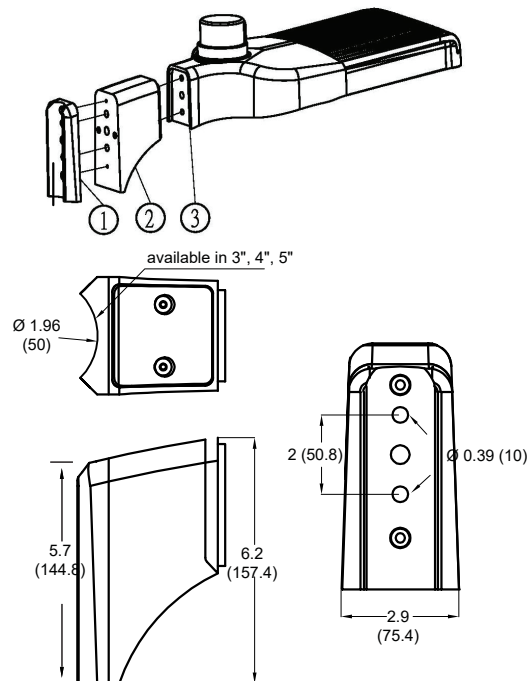
INSTALLATION INSTRUCTIONS

Mounting for Square Pole (PMS)



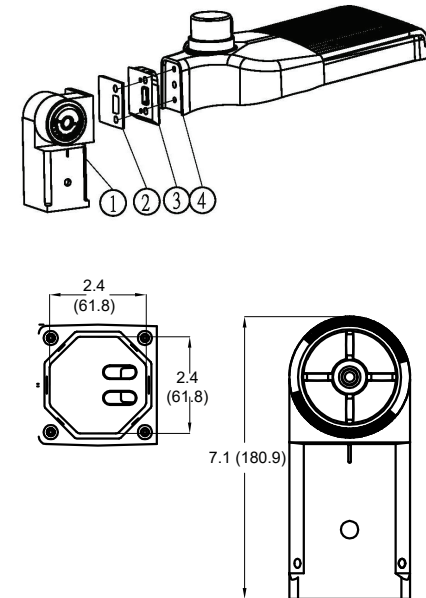
PMS : Secure ① and ② together and install the fixture to the square pole.

Mounting for Round Pole (PMR)



PMR : Secure ① and ② together, then attach to ③. Install the fixture to the round pole.

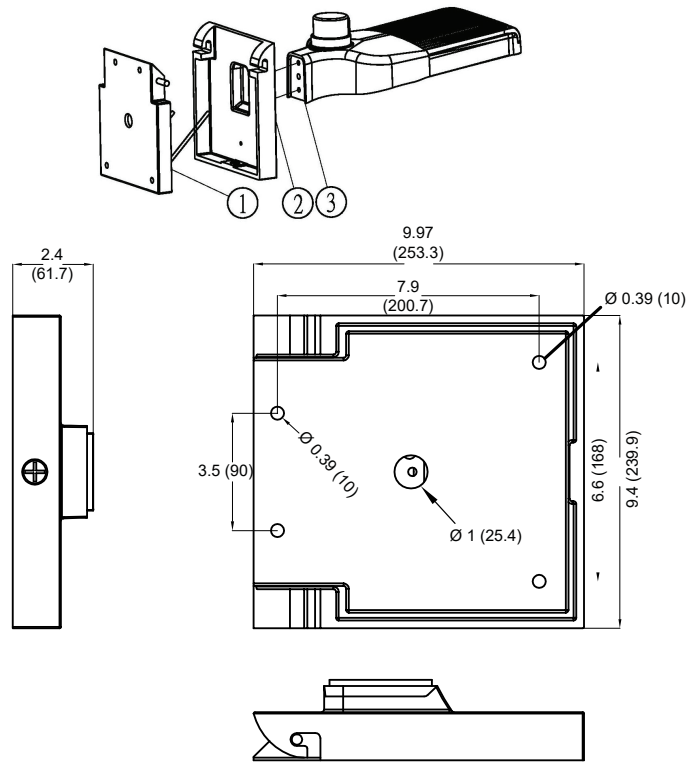
Mounting for Slip Fitter (SF)



SF : Secure ① , ② and ③ together, then attach to ④. Adjustable SF mount available for pipe installation (1-21/32" O.D. to 2-3/8" O.D.).

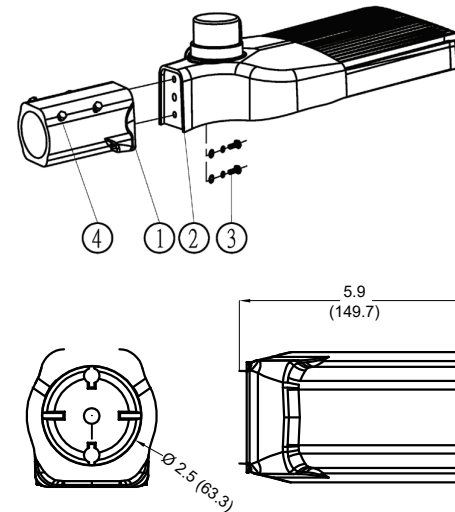


Mounting for Wall Mount (WM)



WM : Secure ① on the wall with 4 screws, then assemble ② to ③. Finally, install ② + ③ back to ① and secure.

Mounting for Horizontal Tenon Mount (MA)



MA : Assemble ① and ② together to install onto ③. Fix and secure ④ with 4 screws.



- This luminaire must remain and be installed facing down.
- To keep luminaire weather-proof, be sure to seal all housing and assembling joints (mounting, conduit, plugs, and etc.) with silicone sealant.

