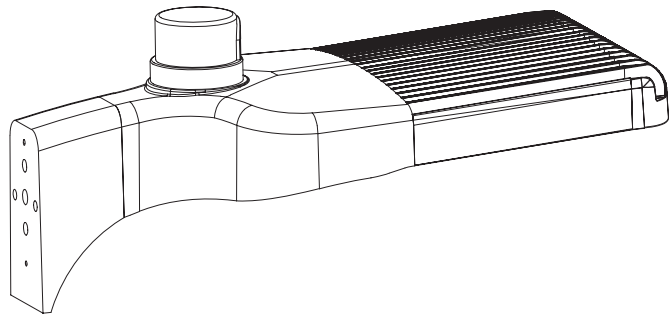


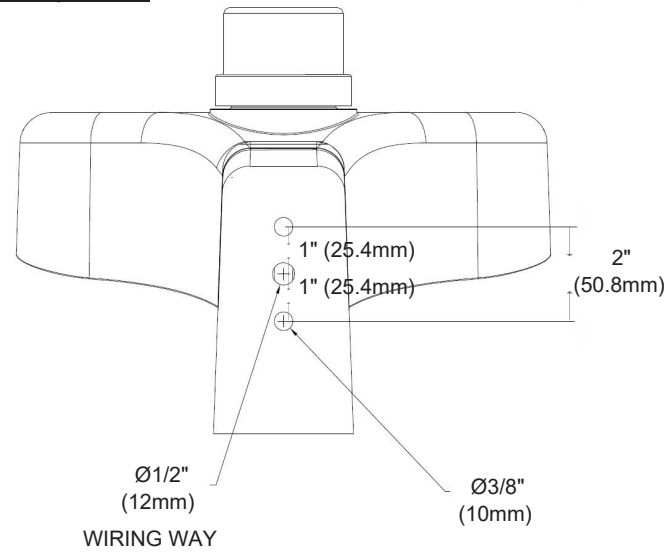
LAP-3G

DRILLING PATTERN

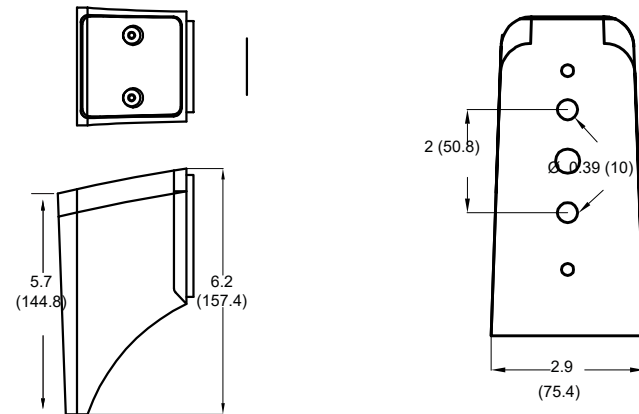


Mounting for Square Pole (PMS)

Drilling Pattern

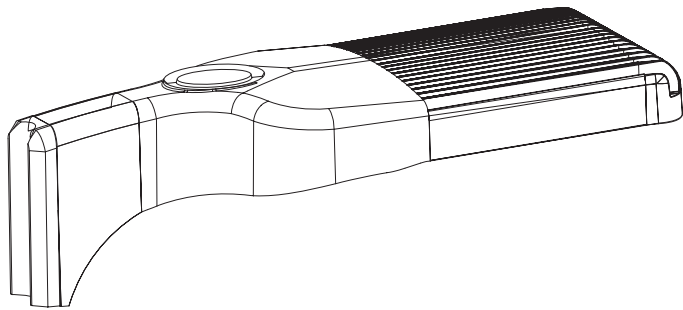


Dimensions



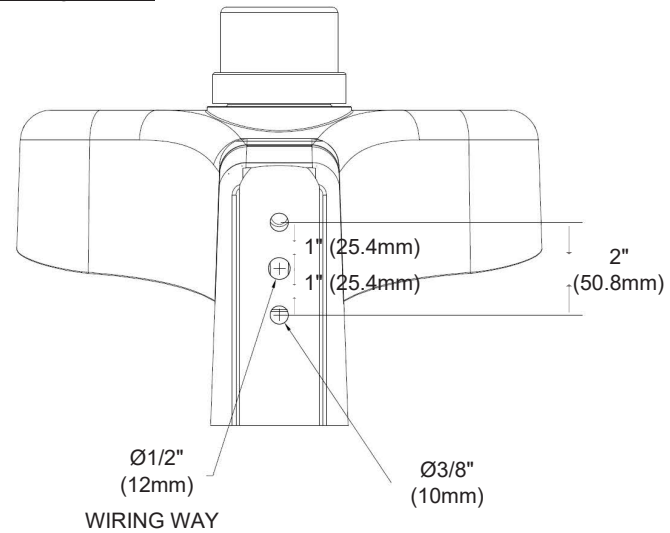
LAP-3G

DRILLING PATTERN

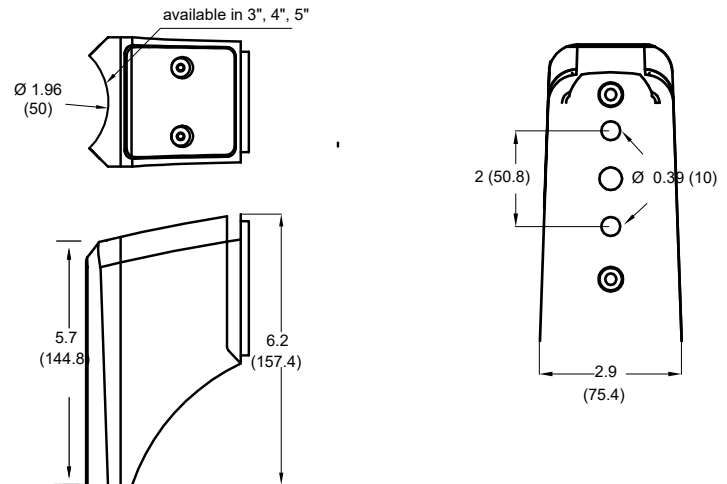


Mounting for Round Pole (PMR)

Drilling Pattern

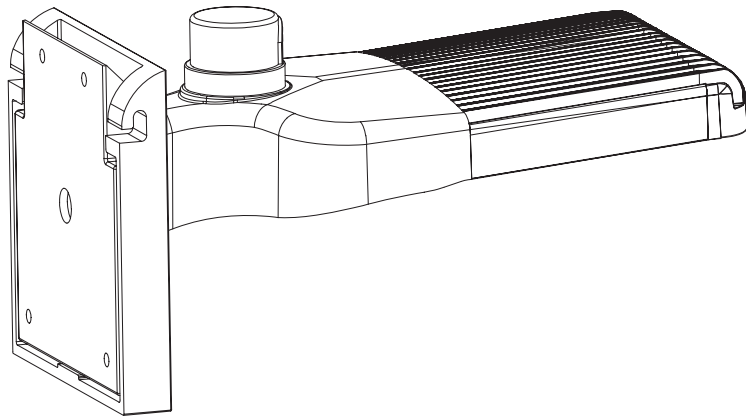


Dimensions



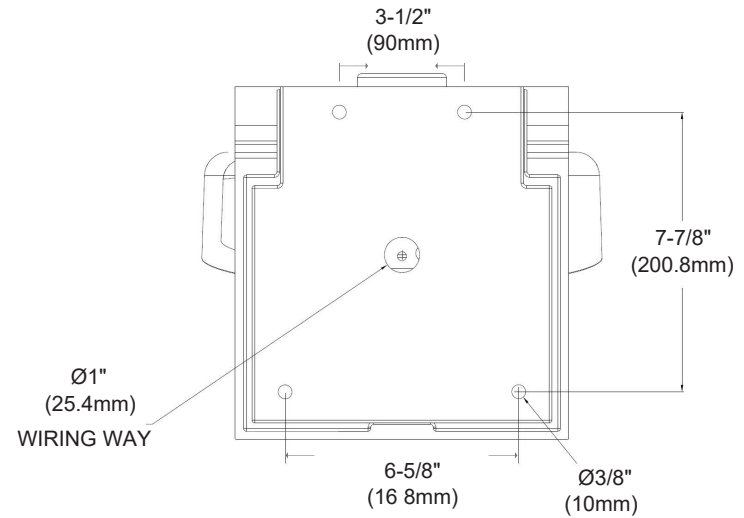
LAP-3G

DRILLING PATTERN



Mounting for Wall Mount (WM)

Drilling Pattern



Dimensions

