

# LCW-3G

Project Name:	
Type:	



### APPLICATION

The slim LED wall pack is ideal for general site lighting, loading docks, doorway, pathway and parking areas.

### FEATURES:

- Sealed die-casting aluminum housing with dark bronze finish.
- Adjustable up to 90°.
- Suitable for applications requiring 3G testing prescribed by ANSI C136.31

### LENS:

- UV stabilized polycarbonate lens.

### MOUNTING:

- Wall mount.
- Suitable for j-box mounting.

### LED:

- Color Temperature: 4000/5000K
- CRI: >70
- L70≥ 50,000 hours
- Lumen efficiency: up to 118 lm/W

### ELECTRICAL:

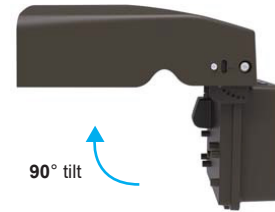
- 0-10V dimming is standard with 100% - 10% dimming.
- 120-277V, 50/60Hz
- Power Factor > 0.90
- THD < 20%
- Operating temperature: -40°F (-40°C) ~ 104°F (40°C)

### LISTING:

- UL listed for wet location.
- DLC premium listed. <sup>2</sup>
- 5 years limited warranty.

### CONFIGURATIONS

Series	LED	Lumen Output (40/50K)	Lumen Efficiency (40/50K)	Weight
LCW-3G	27LED	3600 lm	133 lm/W	3.3 lbs
	40LED	5200 lm	130 lm/W	3.9 lbs
	67LED	8800 lm	131 lm/W	7.3 lbs
	80LED	10500 lm	131 lm/W	7.8 lbs



### ORDERING INFORMATION

EXAMPLE: LCW-3G-27LED-40K-T3-UNV-DM-BZ

MODEL	LED	COLOR TEMP.	DISTRIBUTION <sup>1</sup>	VOLTAGE	LED DRIVER	FINISH
LCW-3G	27LED	27W LED	T2 Type II T3 Type III	UNV 120-277V	DM 0-10V dimmable	<b>BZ</b> Dark Bronze RAL#8019 (Std.) <b>*BK</b> Black RAL#9011 <b>*WH</b> White RAL#9016 <b>*GR</b> Gray RAL#7045 <b>**CC</b> Custom Color <small>* Non-standard finish with extra charge.                      ** Additional charge &amp; set up fee.</small>
	40LED	40W LED				
	67LED	67W LED				
	80LED	80W LED				

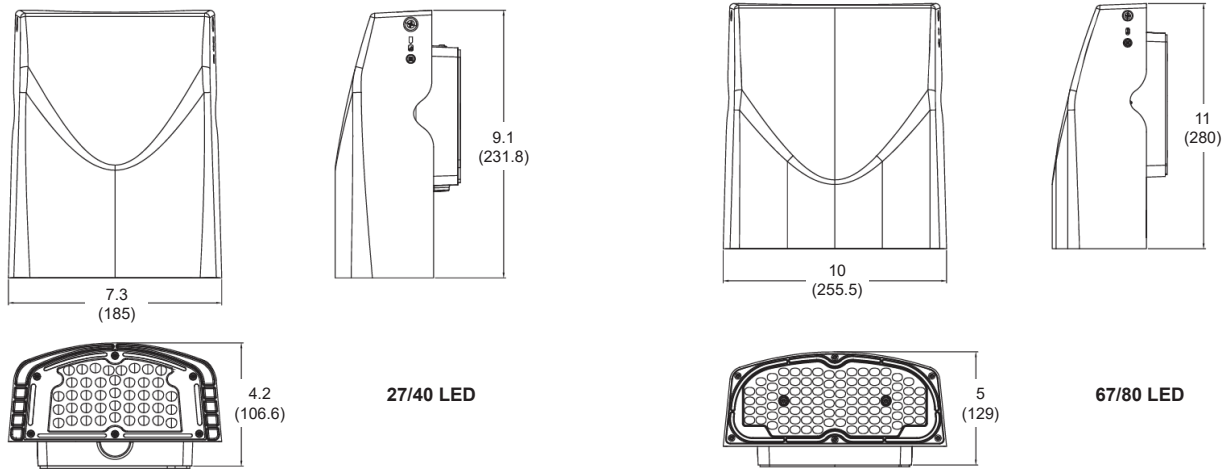
### OPTIONS

<b>PC3</b>	With Photocell - Button Type 120/277V
<b>ARRA</b>	Assembled in USA for Buy American act

### NOTES:

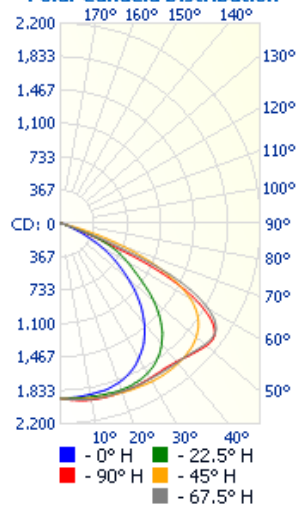
1. T2 distribution is only available with 67/80LED.  
T3 distribution is only available with 27/40LED.
2. DesignLights Consortium® (DLC) qualified product. Not all versions of this product may be DLC qualified. Please check the DLC Qualified Products List at [www.designlights.org/QPL](http://www.designlights.org/QPL) to confirm which versions are qualified.

# LCW-3G



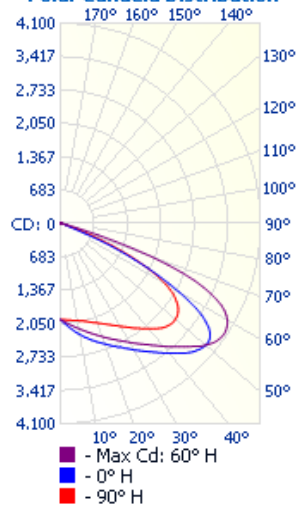
\* All dimensions are in inches (millimeters).

**Polar Candela Distribution**



**Type II distribution**

**Polar Candela Distribution**



**Type III distribution**