

# LPT-11-2G

Project Name:	
Type:	



### APPLICATION

Precisely designed smooth PC lens provides ideal lights curve and perfect uniformity. Professional designed specific lights angle for excellent uniformity of light output. It is designed to work in building perimeter areas and public spaces completing a wide variety of architectural styles.

### FEATURES:

- Aluminum construction - housing, heat sink, arms.
- Field adjustable wattage and CCT.
- Polycarbonate frosted lens.
- EPA: 0.9696ft2
- Type 5 distribution as standard.

### MOUNTING:

- 2-3/8" or 3" diameter round pole.
- Comes standard with 2-3/8" adapter.
- Rugged and durable against vibration.
- Double arm mounting standard.
- Suitable for mounting heights up to 20ft.

### LED:

- Lumileds 3030LED chips.
- Field adjustable wattage: 45/70/87/130W
- Field adjustable color temperature: 30/40/50K
- CRI: >70
- Lumen Efficiency: ≥120 lm/W
- L70>50,000hrs

### ELECTRICAL:

- 1-10V dimmable.
- Ambient Operating Temperature: -40°F (-40°C) ~ 113°F (45°C).
- Power Factor: >0.90, THD<20%
- Input Voltage: 120V-277V, 50/60Hz

### LISTING:

- DLC listed.
- UL / cUL wet location listed.
- 5 years warranty.
- ARRA compliant (optional).

### CONFIGURATIONS

	Input Watts	Lumen Output (3000K)	Lumen Efficiency (3000K)	Lumen Output (4000K)	Lumen Efficiency (4000K)	Lumen Output (5000K)	Lumen Efficiency (5000K)	B.U.G. Rating
LPT-11-2G	45W	5400 lm	120 lm/W	5450 lm	121 lm/W	5500 lm	122 lm/W	B3-U0-G2
	70W	8400 lm	120 lm/W	8450 lm	121 lm/W	8500 lm	121 lm/W	
	87W	10500 lm	121 lm/W	10600 lm	122 lm/W	10600 lm	122 lm/W	
	130W	15600 lm	120 lm/W	15800 lm	122 lm/W	15800 lm	122 lm/W	

### ORDERING INFORMATION

EXAMPLE: LPT-11-2G-4S-3T-UNV-BZ-D

MODEL	LED	COLOR TEMP.	VOLTAGE	FINISH	DISTRIBUTION
LPT-11-2G	4S Selectable 45/70/87/130W LED	-3T Selectable 30/40/50K	UNV 480V 120-277V (Std.) 480V	BZ Dark Bronze RAL#8019 (Std.) *BK Black RAL#9011 *WH White RAL#9016 *GR Gray RAL#7045 **CC Custom Color <small>* Non-standard finish with extra charge. ** Additional charge &amp; set up fee.</small>	(Blank) General distribution (Std.)

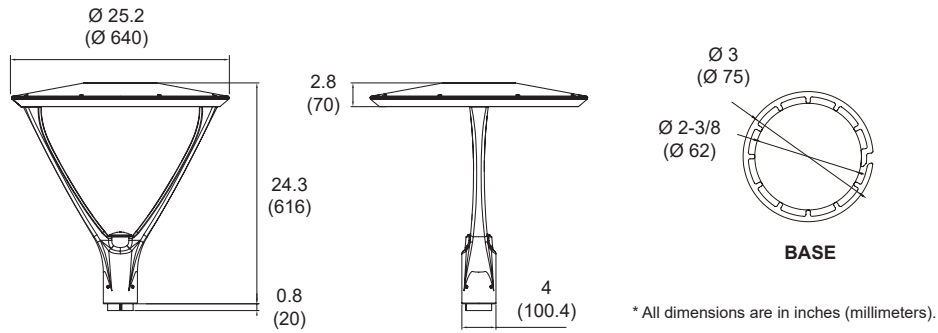
ARM	MOUNTING	OPTIONS
D Double Arm (Std.)	(Blank) Pole Mount (Std.) WM Wall Mount	TLPC3 3-Pin Receptacle and Twist Lock Photocell Installed 120V-277V BRI-xx Bi-level occupancy sensor with daylight, 0-10V, adjustable via DIP switch. "xx" for lens type: L3 or L4 <sup>1,2</sup> RC-100 Remote control for the BRI sensor BG Bird Guard, Stainless Steel Spikes ARRA Assembled in USA for Buy American act

### NOTES:

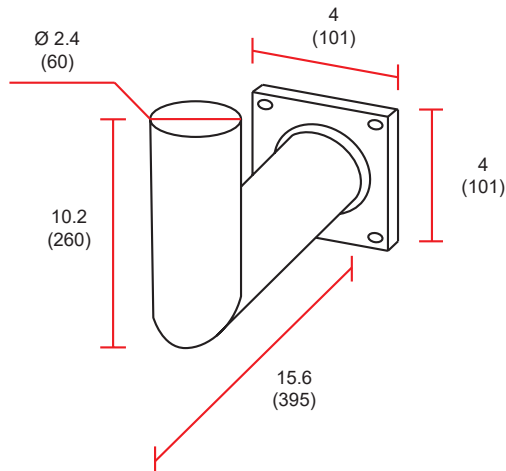
- L3: max coverage height 8FT  
L4: max coverage height 40FT
- Refer to Table 1 to find more information about the sensor including the default setting.

# LPT-11-2G

DIMENSIONS



MS (Motion Sensor)



WM (Wall Mount)

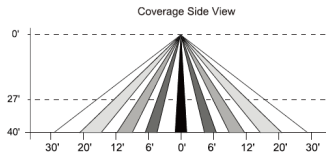
# LPT-11-2G

**SENSOR (Table1)**

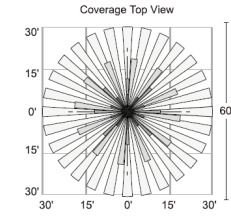
Sensor Spec	
Input Voltage	120/277 Vac, 50/60Hz
Operating Temp.	-40°F to 158°F (-40°C to 70°C)
Operating Humidity	20-90%
Detection Area	360°
Coverage	L3: max 40ft diameter L4: max 60ft diameter

Default Sensor Setting	
High Mode	0-10V; <b>default 10V</b>
Low Mode	Off/0-9.8V; <b>default 1V</b>
Sensitivity	20/50/70/ <b>100%</b>
Sensitivity Time	10s/1m/ <b>5m</b> /15m
Daylight	<b>Disabled</b> /10lux/30lux/50lux
Stand by Time	Infinity/1m/ <b>30m</b> /60m
Stand by Dimming Level	0/10/ <b>30</b> /50%

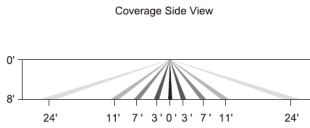
**L3**



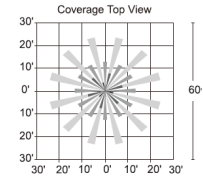
360° Coverage



**L4**



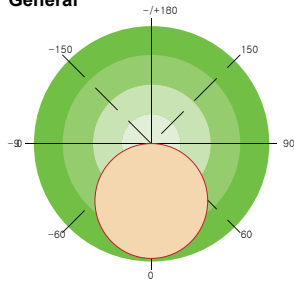
360° Coverage



**RC-100**  
(optional)

**PHOTOMETRICS**

**General**



**LPT-11-2G-45LED**

**Illuminance at a Distance**

	Center Beam fc	Beam Width	
1.7R	640 fc	5.3 ft	5.3 ft
3.3R	170 fc	10.3 ft	10.2 ft
5.0R	74.0 fc	15.5 ft	15.5 ft
6.7R	41.2 fc	20.8 ft	20.8 ft
8.3R	26.9 fc	25.8 ft	25.7 ft
10.0R	18.5 fc	31.1 ft	31.0 ft

■ Vert. Spread: 114.5°  
■ Horiz. Spread: 114.4°

**LPT-11-2G-70LED**

**Illuminance at a Distance**

	Center Beam fc	Beam Width	
1.7R	989 fc	5.3 ft	5.3 ft
3.3R	262 fc	10.3 ft	10.3 ft
5.0R	114 fc	15.6 ft	15.6 ft
6.7R	63.7 fc	20.9 ft	20.8 ft
8.3R	41.5 fc	25.9 ft	25.8 ft
10.0R	28.6 fc	31.2 ft	31.1 ft

■ Vert. Spread: 114.6°  
■ Horiz. Spread: 114.5°

**LPT-11-2G-87LED**

**Illuminance at a Distance**

	Center Beam fc	Beam Width	
1.7R	1,246 fc	5.3 ft	5.3 ft
3.3R	331 fc	10.3 ft	10.2 ft
5.0R	144 fc	15.5 ft	15.5 ft
6.7R	80.2 fc	20.8 ft	20.8 ft
8.3R	52.3 fc	25.8 ft	25.7 ft
10.0R	36.0 fc	31.1 ft	31.0 ft

■ Vert. Spread: 114.5°  
■ Horiz. Spread: 114.4°

**LPT-11-2G-130LED**

**Illuminance at a Distance**

	Center Beam fc	Beam Width	
1.7R	1,840 fc	5.3 ft	5.3 ft
3.3R	488 fc	10.4 ft	10.4 ft
5.0R	213 fc	15.7 ft	15.7 ft
6.7R	118 fc	21.1 ft	21.0 ft
8.3R	77.2 fc	26.1 ft	26.1 ft
10.0R	53.2 fc	31.4 ft	31.4 ft

■ Vert. Spread: 115.1°  
■ Horiz. Spread: 115.0°