

LPT-9-2G

Project Name:	
Type:	



APPLICATION

Precisely designed anti-glare lens provides ideal lights curve and perfect uniformity. Professional designed specific lights angle for excellent uniformity of light output. It is designed to work in building perimeter areas and public spaces completing a wide variety of architectural styles.

FEATURES:

- Stretched aluminium sleeving, suitable for 2-3/8" (60mm) and 3" (76mm) diameter pole.
- Aluminum heat sink radiation, stainless steel housing.
- Fully gasketed housing.
- Cutting edge LED technology provides maintenance-free operation with significant reduction in energy consumption.
- Without any hazardous material in fixture.

DIFFUSER:

- Frosted glass lens is standard.

LED:

- Color Temperature: 4000/5000 (K)
- 30W & 60W come with field-adjustable CCT (30~50K).
- 120W can be either 40/50K.
- CRI: >70
- Type V distribution.
- Up to 100 LM/W.
- Proprietary binning for uniform color.

ELECTRICAL:

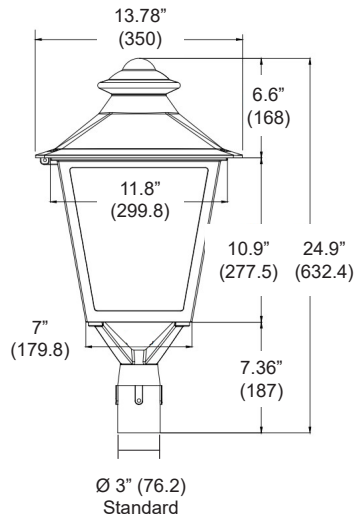
- Ambient Operating Temperature: -4°F (-20°C) ~ 122°F (50°C).
- Power Factor: >0.9
- Input Voltage: 120V-277V, 50/60Hz
- THD <15%
- Non-dim is standard.
- 0-10V dim is optional.

LISTING:

- cETLus listed.
- 5 years warranty.
- IP65.

CONFIGURATIONS

	Input Watts	Lumen Output (3000K)	Lumen Output (4000K)	Lumen Output (5000K)	Weight	EPA Rating
LPT-9-2G	30W	2400 lm	2700 lm	3000 lm	25 lbs (11.3 kg)	0.965
	60W	4800 lm	5400 lm	6000 lm		
	120W	9600 lm	10800 lm	12000 lm		



* All dimensions are in inches (millimeters).

LPT-9-2G

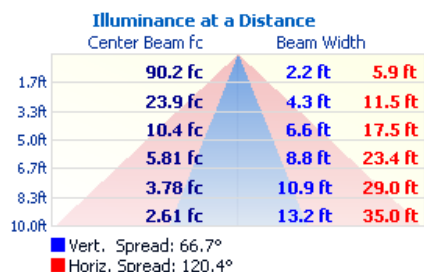
ORDERING INFORMATION

EXAMPLE: LPT-9-2G-60LED-3C-UNV-BZ-F-P3

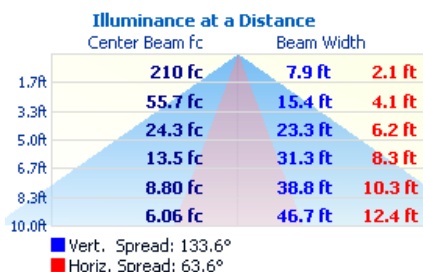
MODEL	LED		COLOR TEMP.		VOLTAGE		FINISH		DIFFUSER	
LPT-9-2G	30LED	30W	-3C	Selectable 30/40/50K	UNV	120-277V (Std.)	BK	Black (RAL#9005) (Std.)	F	Frosted Glass Cover (Std.)
	60LED	60W								
	120LED	120W	-40K	4000K						
			-50K	5000K						

MOUNTING		CONTROL			OPTIONS		
P3	3" Pole (Std.)	(Blank)	None			BG	Bird Guard, Stainless Steel Spikes
P2	2-3/8" Pole	TLPC3	3-Pin Receptacle and Twist Lock Photocell Installed 120-277V				
WM	Wall Mount	TLPC-SC	Shorting Cap				
		RC7	NEMA 7-wire receptacle only (no controls)				
		MS	Microwave motion sensor				

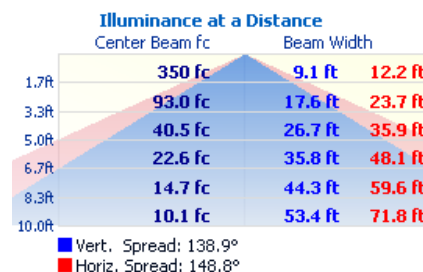
LPT-9-2G-30LED



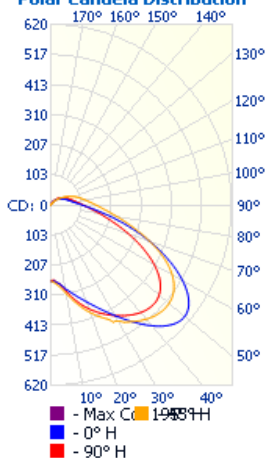
LPT-9-2G-60LED



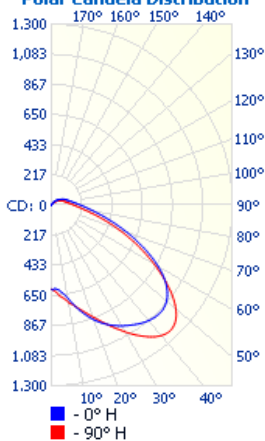
LPT-9-2G-120LED



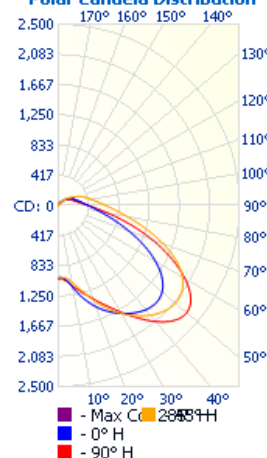
Polar Candela Distribution



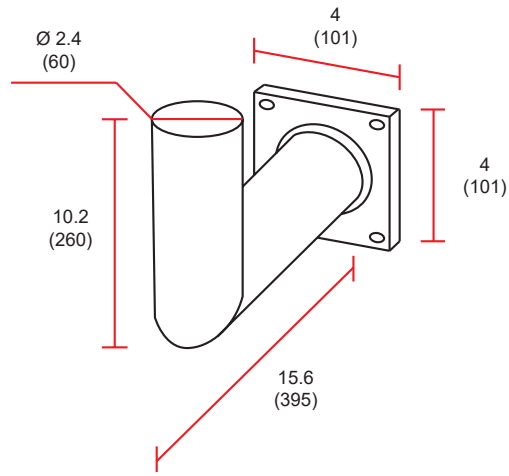
Polar Candela Distribution



Polar Candela Distribution



LPT-9-2G



WM (Wall Mount)