

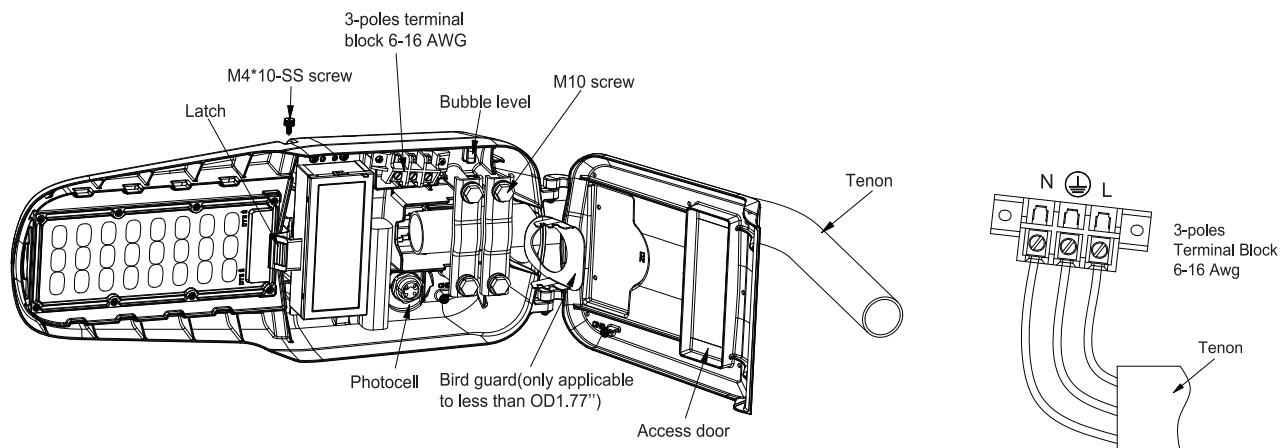
**WARNING**

**PLEASE READ ALL INSTRUCTIONS BEFORE ATTEMPTING INSTALLATION**

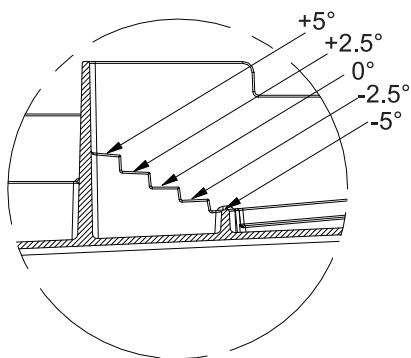
- To prevent personal injury or product damage only licensed electricians should install.
- To avoid electric shock or component damage disconnect power before attempting installation or servicing.
- This product must be installed in accordance with the national electric code (NEC) and all applicable federal, state and local electric codes and safety standards.
- Disconnect product and allow cooling prior to servicing.
- Any alteration or modification of this product is expressly forbidden as it may cause serious personal injury, death, property damage and/or product malfunction.
- To prevent product malfunction and/or electrical shock this product must be properly grounded.
- This luminaire is designed to operate in ambient temperatures ranging from -40°C to 40°C and to be horizontally mounted with the LEDs facing down.
- This product must be installed in accordance with the applicable installation code by a Person familiar with the construction and operation of the product and the hazards involved.
- MIN 75°C SUPPLY CONDUCTORS
- CONSULT A QUALIFIED ELECTRICIAN TO ENSURE CORRECT BRANCH CIRCUIT CONDUCTOR
- CAUTION - RISK OF FIRE
- This product is not available for several special environments, such as places with corrosive gas liquids or high pressure water vapor.

## Installation Guide

1. Loosen the side screw(M4\*10), push the latch to release the access door.
2. Loosen the M10 screws before sliding the fixture onto the tenon.
3. Slip the fixture onto the tenon, search for approximate penetration, adjust horizontal angle properly and tighten M10 screws.
4. Connect the service leads to the terminal block.
5. Turn latch to reinstall the access door and the fixture is ready to be energized, tighten the side screw(M4\*10)



Horizontal angle can be adjusted in 2.5° steps, ±5°



### Wire Connection

Black	○	Line
White	○	Neutral
Green/Yellow Green	○	Ground
Purple	○	
Pink	○	

Note: Two dimming wire in the driver box