

# LRL-2G

Project Name:	
Type:	



### APPLICATION

LRL provides uncompromising optical performance and outstanding versatility for a wide variety of area and roadway applications. Our customer focused features include single latch tool-less entry, industry leading surge protection options and superior lumen maintenance and performance, all in an economical design. It is ideal for illuminating walkways, parking lots and roadways.

### FEATURES:

- Heavy-duty cast aluminum housing and removable door 3G vibration rated to ensure strength of construction and longevity in application.
- Housing is completely sealed against moisture and environmental contaminants.
- EPA rating: 0.4567

### LED:

- Available in IES Type III distributions.
- Color Temperature: 4000K
- Color Rendering Index: >70
- Scalable Lumen Packages from 9,900 to 14,200 Lumens.
- Optics is precisely designed to shape the distribution, maximizing efficiency and application spacing.
- Life span: ≥ 50,000 hours.

### ELECTRICAL:

- Standard drivers feature electronic universal voltage 120-277V, 347V-480V operation.
- Standard 1-10V dimming and 10kA(@120-277V) / 20kA(@347-480V) common and differential- mode surge protection available.
- Greater than 0.9 power factor, less than 20% harmonic distortion, and is suitable for operation in -40°C to 40°C (-40°F to 104°F) ambient environments.
- LED drivers mount to die-cast aluminum back housing for optimal heat sinking, operation efficacy, and prolonged life.

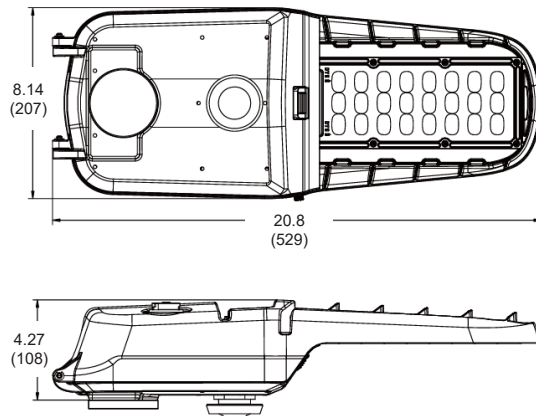
### LISTING:

- DLC premium listed. <sup>1</sup>
- UL cUL wet location listed.
- IES LM-80 results and TM-21.
- 5 years limited warranty.
- ARRA compliant. (optional)

### CONFIGURATIONS

Series	Input Wattage	Voltage	Lumen Output (4000K)	Lumen Efficiency	EPA
LRL-2G	70W	120-277V	9900 lm	141 lm/W	0.4567
	105W	347-480V	9400 lm	134 lm/W	
	70W	120-277V	14600 lm	139 lm/W	
	105W	347-480V	14200 lm	135 lm/W	

: Lumen information based on T3 distribution.




\* for use with a 1-5/8" (40mm) or 2-3/8" (50mm) diameter arm.

# LRL-2G

**ORDERING INFORMATION**

**EXAMPLE:** LRL-2G-105LED-40K-T3-UNV

MODEL	LED		COLOR TEMP.		DISTRIBUTION		VOLTAGE		FINISH	
LRL-2G	70LED 105LED	70W LED 100W LED	-30K -40K -50K	3000K 4000K (Std.) 5000K	T3 Type III (Std.)		UNV HV	120-277V (Std.) 347-480V	(Blank) *BK *WH	Silver Gray RAL #7045 (Std.) Black White

\* Non-standard finish with extra charge.

DIMMING		OPTIONS	
(Blank)	1-10V dimming	RC7	NEMA 7-wire receptacle only (no controls)
		TLPC3	3-Pin Receptacle and Twist Lock Photocell Installed 120V-277V (Std.)
		TLPC4	3-Pin Receptacle and Twist Lock Photocell Installed 347V
		TLPC5	3-Pin Receptacle and Twist Lock Photocell Installed 480V
		MS	Motion Sensor
		ARRA	Assembled in USA for Buy American act

**NOTES:**

- DesignLights Consortium® (DLC) qualified product. Not all versions of this product may be DLC qualified. Please check the DLC Qualified Products List at [www.designlights.org/QPL](http://www.designlights.org/QPL) to confirm which versions are qualified.

Horizontal angle can be adjusted in 2.5° steps, ±5°

