

LSL-4G

Project Name:	
Type:	



APPLICATION

LED Shoebox/Area Light series can be used in parking lot, urban roads, industrial areas, residential areas, sidewalks, schools, and gardens. Wide detection area, range up to 52FT in diameter.

FEATURES:

- One piece die-cast aluminum body with die-cast hinge panel for easy access.
- UV stabilized powder coat finish.
- Bronze finish standard.
- Operating temperature: -40°C to 45°C (-40°F to 113°F)
- Stainless steel hardware.

MOUNTING:

- Standard with Slip Fitter (for 2-3/8" pole).
- Square / Round pole arm.
- Trunnion mount.

OPTIC:

- PC optic.
- Distribution: Type3, Type4, Type5

LED:

- Lumileds LED
- Color Temperature: 4000 / 5000K
- Lumen efficiency: Color rendering index: >70
- Life span: 100,000 hours

ELECTRICAL:




- 1-10V dimming standard.
- 120-277V, 50/60Hz, 480V
- THD: ≤20%
- PF: ≥90%
- Standard with 4Kv surge protection.
- Optional for 10Kv / 20Kv surge protection.
- Operating temperature: -40°F (-40°C) ~ 104°F (40°C)

LISTING:

- IP65 rated.
- UL listed.
- DLC premium listed. ¹
- Suitable for wet location.
- 5 years limited warranty.
- BAA compliant (optional).

ORDERING INFORMATION

EXAMPLE: LSL-4G-127LED-40K-T3-UNV-BZ-SF

MODEL	LED	COLOR TEMP.	DISTRIBUTION	VOLTAGE	DIMMING
LSL-4G	63LED	63LED	T3 Type III  T4 Type IV  T5 Type V 	UNV HV 120-277V (Std.) 480V	(Blank) 1-10V dimming (Std.)
	92LED	92LED			
	127LED	127LED			
	190LED	190LED			
	229LED	229LED			
	257LED	257LED			
	-40K 4000K -50K 5000K				

FINISH		MOUNTING		OPTIONS	
BZ	Dark Bronze RAL#7022 (Std.)	SF	Slip Fitter	TLPC3	3-Pin Receptable and Twist Lock Photocell Installed 120V-277V
CC	Custom Color	PMS	Square Pole Mount Arm	LOS-509S-W-x	IP66 rated integrated On/off occupancy with daylight, adjustable via DIP switch (see note to select lens for "x") ^{2,3}
	* Available custom color (RAL) Please provide us with the RAL number. * Non-standard finish with extra charge.	PMR	Round Pole Mount Arm (4"-5" dia.)	10KV	10Kv Surge Protector
		TR	Trunnion Mount	20KV	20Kv Surge Protector
				HS	House Shield
				MS	Microwave Bi-Level Dimming Sensor
				BAA	BAA(Buy American Act) and BABA(Build America Buy America) compliant

NOTES:

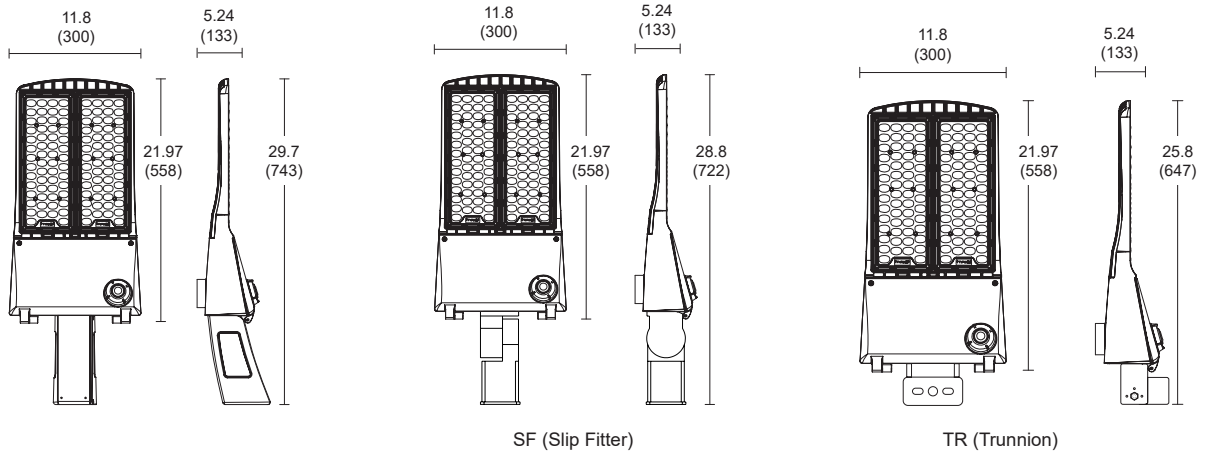
1. DesignLights Consortium® (DLC) qualified product. Not all versions of this product may be DLC qualified. Please check the DLC Qualified Products List at www.designlights.org/QPL to confirm which versions are qualified.
2. Default setting: 10min time delay, 24H daylight.
3. A: Standard cone shape Lens @ 15' height (up to 30' coverage)
B: Extra wide cone shape Lens @ 10' height (up to 60' coverage)
C: High bay cone shape Lens @ 30' height (up to 90' coverage)
D: Standard round shape Lens @ 20' height (up to 40' coverage)
F: Extra wide dome shape Lens @ 20' height (up to 80' coverage)
G: Aisle way arch shape Lens @ 40' height (up to 120' coverage)
H: High bay dome shape Lens @ 50' height (up to 50' coverage)

LSL-4G

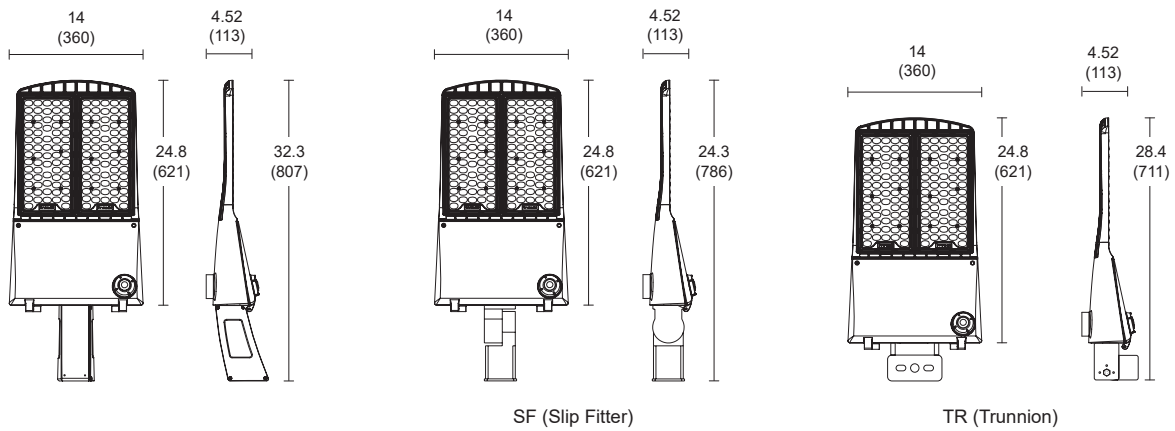
DIMENSIONS

* All dimensions are in inches (millimeters).

63 / 92 / 127LED



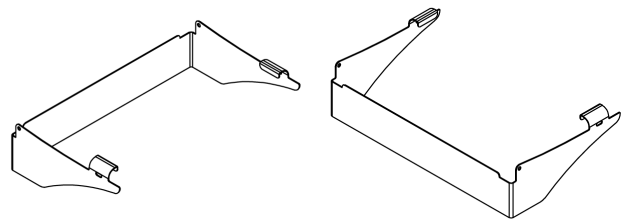
190 / 229 / 257LED



Twist Lock Photocell



Sensor



HS option

LSL-4G

CONFIGURATIONS

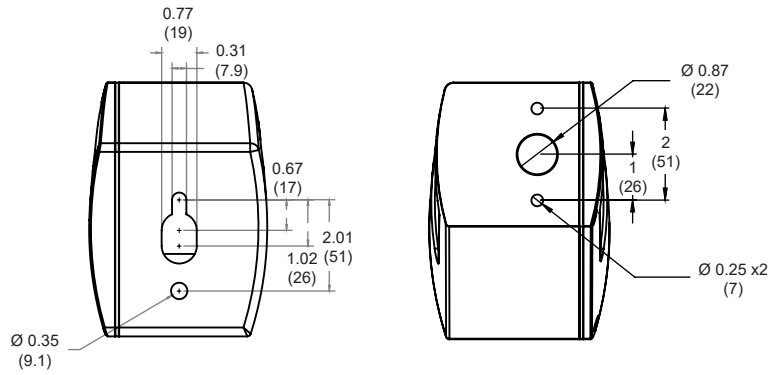
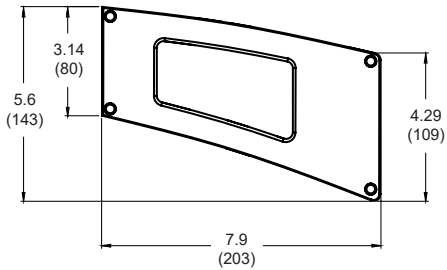
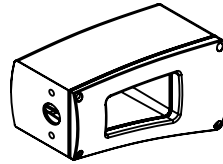
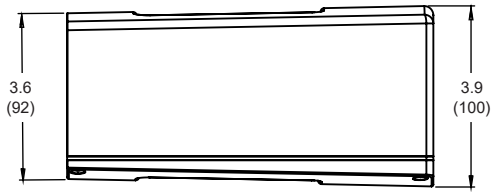
Series	Model#	AC Input (4000K)	Lumen Output (4000K)	Lumen Efficiency (4000K)	AC Input (5000K)	Lumen Output (5000K)	Lumen Efficiency (5000K)	Distribution	B.U.G.
LSL-4G	63LED	63W	10151 lm	161 lm/W	63W	10168 lm	161 lm/W	T3	B2-U2-G2
		63W	10192 lm	161 lm/W	63W	10242 lm	162 lm/W	T4	B2-U2-G2
		63W	10121 lm	160 lm/W	63W	10273 lm	163 lm/W	T5	B3-U0-G1
	92LED	92W	14706 lm	160 lm/W	91W	14816 lm	162 lm/W	T3	B3-U2-G3
		92W	14711 lm	160 lm/W	91W	14985 lm	164 lm/W	T4	B3-U2-G3
		92W	14796 lm	161 lm/W	91W	14806 lm	162 lm/W	T5	B3-U2-G1
	127LED	127W	20480 lm	161 lm/W	126W	20872 lm	165 lm/W	T3	B3-U3-G3
		127W	21201 lm	167 lm/W	126W	21299 lm	169 lm/W	T4	B3-U3-G3
		127W	20671 lm	162 lm/W	125W	20701 lm	165 lm/W	T5	B4-U3-G2
	190LED	187W	30069 lm	160 lm/W	187W	30114 lm	161 lm/W	T3	B4-U3-G4
		187W	30232 lm	161 lm/W	187W	30610 lm	163 lm/W	T4	B4-U3-G4
		187W	30717 lm	164 lm/W	187W	31821 lm	170 lm/W	T5	B5-U3-G2
	229LED	225W	36888 lm	164 lm/W	230W	39681 lm	172 lm/W	T3	B4-U3-G4
		226W	38199 lm	169 lm/W	230W	38475 lm	167 lm/W	T4	B4-U3-G4
		225W	37176 lm	165 lm/W	230W	37964 lm	165 lm/W	T5	B5-U3-G2
	257LED	225W	41810 lm	164 lm/W	260W	42683 lm	164 lm/W	T3	B4-U3-G4
		225W	43215 lm	169 lm/W	260W	43309 lm	166 lm/W	T4	B5-U3-G4
		225W	42331 lm	166 lm/W	260W	43030 lm	165 lm/W	T5	B5-U3-G3

EPA RATING

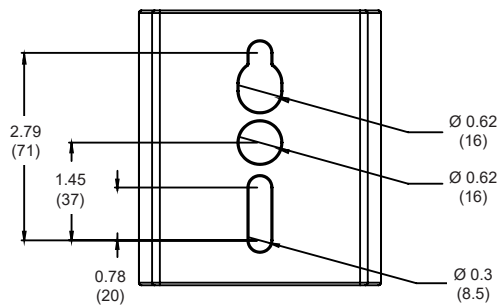
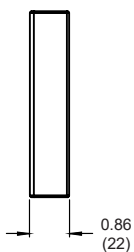
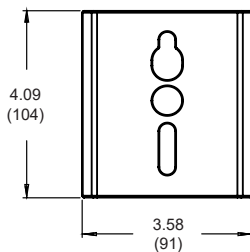
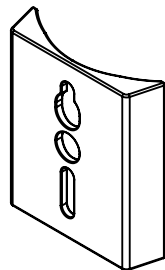
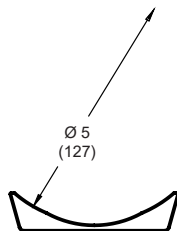
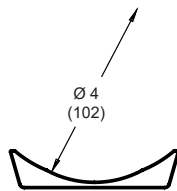
EPA for Pole mount(PMS, PMR)	63/92/127LED	0.37 sq.ft.
	190/229/257LED	0.43 sq.ft.
EPA for Slip Fitter at 90° Degree (SF)	63/92/127LED	2.20 sq.ft.
	190/229/257LED	2.92 sq.ft.

LSL-4G

PMS

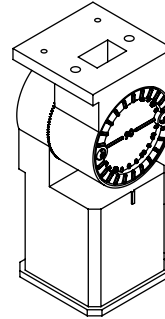
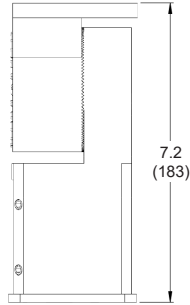
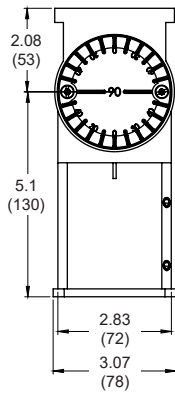
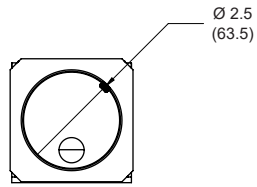


PMR Adapter(Installed on PMS)



LSL-4G

SF



TR

