

LSL-5G

Project Name:	
Type:	



APPLICATION

LED Shoebox/Area Light series can be used in parking lot, urban roads, industrial areas, residential areas, sidewalks, schools, and gardens. Wide detection area, range up to 50FT in diameter.

FEATURES:

- Rugged, One-piece die cast aluminum housing.
- Die-cast integral heat sink to provide thermal management.
- Low profile, 3G vibration rated compact design minimizes wind load requirements.
- Housing is completely sealed against moisture and environmental contaminants.
- Operating temperature: -40°C to 40°C (-40°F to 104°F)
- Suitable for mounting heights up to 50ft.

ELECTRICAL:

- 1-10V dimming standard.
- 120-277V, 50/60Hz, 347-480V
- THD: ≤20%
- PF: ≥90%

LISTING:

- UL listed.
- DLC listed. ¹
- Suitable for wet location.
- 5 years limited warranty.
- ARRA compliant (optional).

MOUNTING:

- Slip Fitter (for 2-3/8" pole).
- Square / Round pole arm.
- Wall mount.
- Trunnion mount.

OPTIC:

- PC optic.
- Distribution: Type3, Type4, Type5

LED:

- Lumileds LED
- Color Temperature: 4000 / 5000K
- Lumen efficiency: Color rendering index: >70
- Life span: 100,000 hours

ORDERING INFORMATION

EXAMPLE: LSL-5G-150LED-40K-T3-UNV-BZ-PMS4

MODEL	LED	COLOR TEMP.	DISTRIBUTION	VOLTAGE	DIMMING
LSL-5G	100LED	100LED	T3 Type III T4 Type IV T5 Type V	UNV 120-277V (Std.) HV 347-480V	(Blank) 1-10V dimming (Std.)
	150LED	150LED			
	250LED	250LED			
	300LED	300LED			

FINISH	MOUNTING	OPTIONS
BZ Dark Bronze RAL#8019 (Std.) *BK Black RAL#9011 *WH White RAL#9016 *GR Gray RAL#7045 **CC Custom Color <small>* Non-standard finish with extra charge. ** Additional charge & set up fee.</small>	SF Slip Fitter (2-3/8" O.D) PMS4 4" Square Pole Mount Arm PMS5 5" Square Pole Mount Arm PMR Round Pole Mount Arm (4"-5" dia.) WM Wall Mount TR Trunnion Mount	TLPC3 3-Pin Receptable and Twist Lock Photocell Installed 120V-277V TLPC4 3-Pin Receptable and Twist Lock Photocell Installed 480V RC7 NEMA 7-wire receptable only (120-277V) BRI Bi-level occupancy sensor with daylight, 0-10V, adjustable via DIP switch RC-100 Remote control for the BRI sensor ARRA Assembled in USA for Buy American Act HS House Side Shield ² SP10 10KA Surge Protection

NOTES:






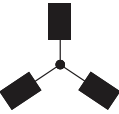

1. DesignLights Consortium® (DLC) qualified product. Not all versions of this product may be DLC qualified. Please check the DLC Qualified Products List at www.designlights.org/QPL to confirm which versions are qualified.
2. Not available with 150LED model.

LSL-5G

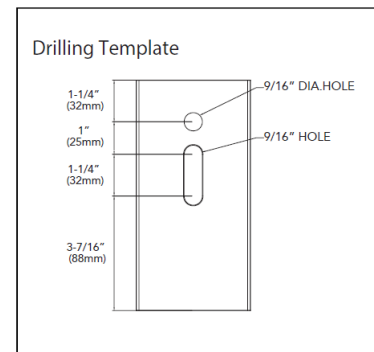
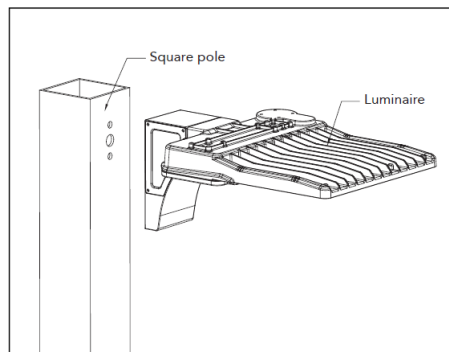
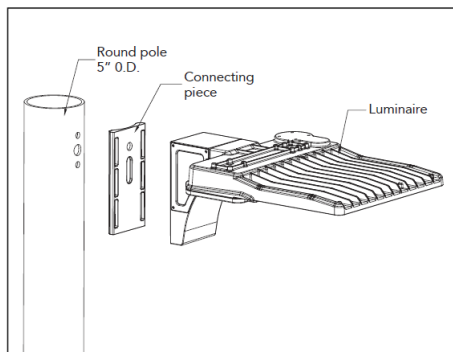
CONFIGURATIONS

Series	Model#	AC Input	Distribution	Lumen Output (4000 / 5000K)	Lumen Efficiency (4000 / 5000K)	B.U.G.
LSL-5G	100LED	100W	T3	14100 lm	141 lm/W	B2-U0-G2
			T4	14000 lm	140 lm/W	B2-U0-G3
			T5	14200 lm	142 lm/W	B4-U0-G2
	150LED	150W	T3	21000 lm	140 lm/W	B3-U0-G3
			T4	20500 lm	137 lm/W	B1-U0-G1
			T5	21000 lm	140 lm/W	B4-U0-G2
	250LED	250W	T3	35000 lm	140 lm/W	B4-U0-G4
			T4	35000 lm	140 lm/W	B4-U0-G5
			T5	35600 lm	144 lm/W	B5-U0-G3
	300LED	300W	T3	42000 lm	140 lm/W	B4-U0-G5
			T4	41000 lm	137 lm/W	B4-U0-G5
			T5	42000 lm	140 lm/W	B4-U0-G2

EPA OF AREA LIGHT

Item	Mounting							
		1	2 @90°	2 @120°	2 @180°	3 @90°	3 @120°	4 @90°
100W	Pole Mount	0.2751	0.5267	0.7321	0.6164	0.9577	0.9837	0.9577
150W		0.3111	0.6343	0.6464	0.6222	0.9335	0.9696	0.9335
250W/300W		0.4097	0.7227	0.9919	0.8856	1.1986	1.3049	1.1986

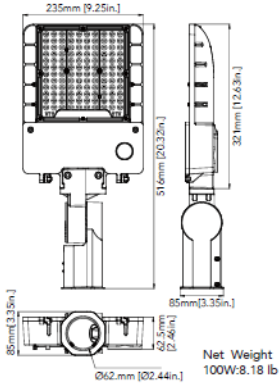
MOUNTING DIMENSIONS



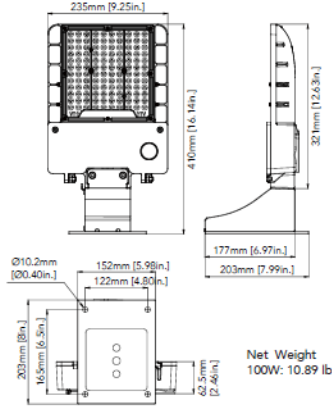
LSL-5G

All dimensions are in inches (millimeters).

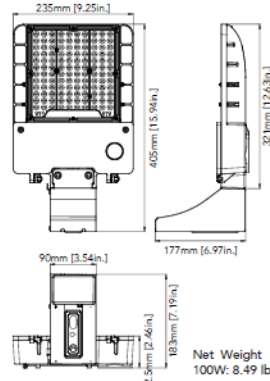
100W (Slip Fitter Mount)



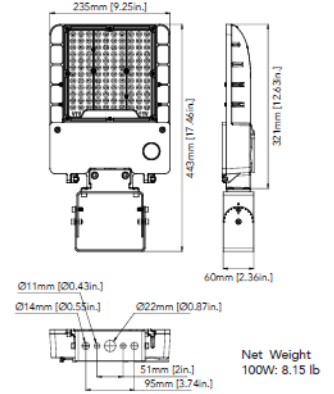
100W (Wall Mount)



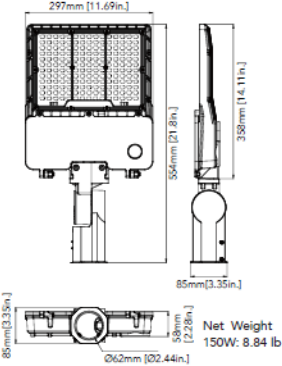
100W (Pole Mount)



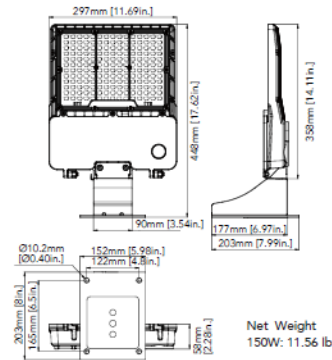
100W (Trunnion Mount)



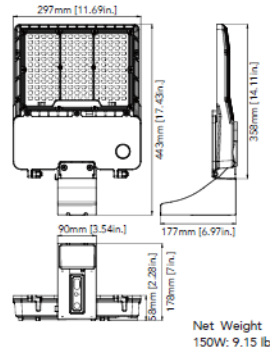
150W (Slip Fitter Mount)



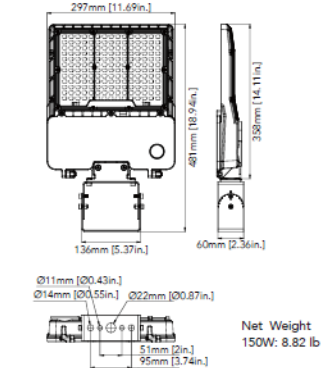
150W (Wall Mount)



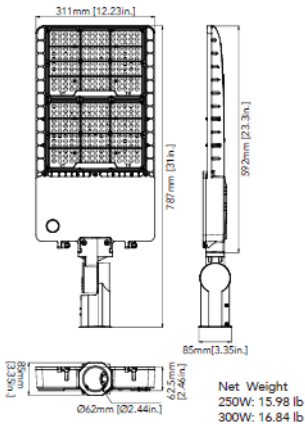
150W (Pole Mount)



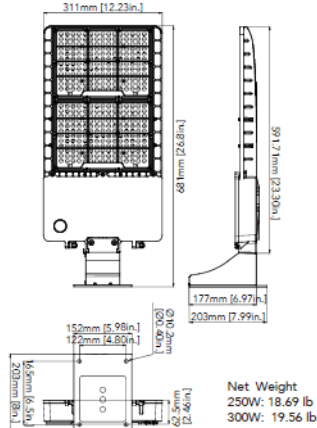
150W (Trunnion Mount)



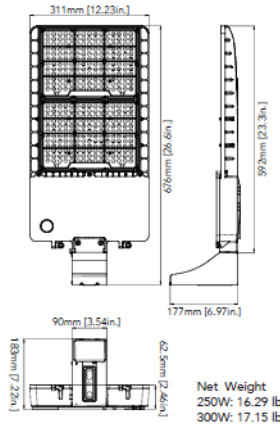
250W/300W (Slip Fitter Mount)



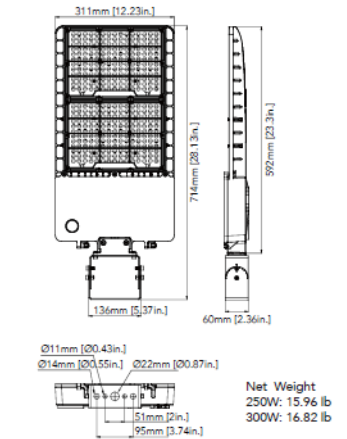
250W/300W (Wall Mount)



250W/300W (Pole Mount)



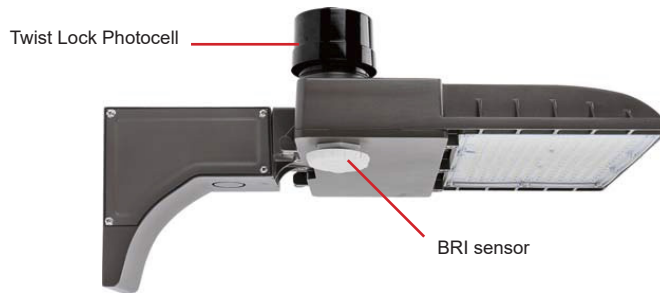
250W/300W (Trunnion Mount)



LSL-5G



HS (House Side Shield) option



Sensitivity	100%
Stand-by time/Hold-time	10 Sec.
Detection	When sunlight (daylight) is detected
Dimming Level	20%
Dimming Time	24 hours (* It will dim when daylight is detected)

Detection angle	360°
Detection zone	Max. coverage 60' diameter from 40' height
High mode	0-10V/ default 10V
Low mode	Off / 0-9.8V / default 1V
Operating temperature	-104°F ~ 158°F (-40°C ~ 70°C)
Operating Humidity	20-90%
Rating	IP66



PMS4, 5



SF



WM



TR