

# MFL2L GLED

Project Name:	
Type:	

Limited stock available



### APPLICATION

Heavy duty die-cast aluminum housing, arm mount and horizontal lamp unit. Modular design LED and aluminum reflector allows for ease of maintenance. Use on building facades, walkways, drive ways, tennis courts, parking lots, commercial and industrial complexes. As well as general safety and security lighting.

### FEATURES:

- Heavy duty die-cast aluminum housing and door frame. Housing is dark bronze polyester powder paint finish standard.
- Aluminum reflector, Silicone rubber gasket between backplate and front cover for wet locations.
- Heat and impact resistant tempered clear glass lens is fully gasket.

### MOUNTING:

- Provided with a standard heavy-duty adjustable slip fitter mount for both pole and wall mount. Optional TR (yoke mount) and WTR (wide yoke mount). Wall mount bracket available.

### LED:

- High efficient LED modules, components are products of Samsung LEDs. (G2LED: Cree LED)
- 5000K color temperature standard.
- Color Rendering Index: 82+ Ra.
- Input Voltage: 24Vdc
- 60°/120° Beam Angle.
- 50,000 hours.

### ELECTRICAL:

- High power factor electronic driver, operate from a 90 ~ 305 Vac input range, 50 / 60 Hz.
- Features include over voltage protection, surge, short circuit protection and over load protection.
- All-Round Protection: OVP, SCP, OTP.
- Class 2 and SELV
- Power Factor: typical > 0.92
- Optional 1-10V dimmable driver. (Dimmer supplied by others)
- Operating temperature: -22°F (-30°C) ~ 122°F (50°C).
- UL8750, UL1012, UL1310 Class 2, CSA-C22.2 No. 107.1, CSA C22.2 NO. 223-M91 Class 2

### LISTING:

- UL/ CUL listed.
- Listed to UL 1598 and UL 8750.
- RoHS.
- Tested to IESNA LM80 standards.
- Suitable for wet locations.
- 5 years limited warranty.
- 7 or 10 years limited warranty. (optional) <sup>7</sup>
- ARRA compliant.

### SPECIFICATION

	GLED	Input Watts	Color Temp.	Lumen Output	Driver input AC Voltage	Driver Output Current
MFL2L	200 LEDs	200W	5000k (Std.)	21563	90-305Vac	4.1 A
	250 LEDs	250W	5000k (Std.)	26820	90-305Vac	5.1 A

LED Driver: Non-dimmable driver standard, optional dimmable driver 1-10V

**Lighting Facts**  
A Program of the U.S. DOE

Light Output (Lumens) **16730**  
Watts **151.4**  
Lumens per Watt (Efficacy) **110.5**

Color Accuracy  
Color Rendering Index (CRI) **83**

Light Color  
Correlated Color Temperature (CCT) **5724 (Daylight)**

Warranty\*\* **Yes**

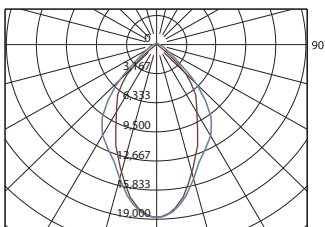
All results, except LED Lumen Maintenance, are according to IESNA LM-79-2005 Approved Method for the Electrical and Photometric Testing of Solid-State Lighting. The U.S. Department of Energy (DOE) verifies product test data and results.

\*\* See [www.lightingfacts.com/products](http://www.lightingfacts.com/products) for details.

Registration Number: ZNHD-TV8E4W (02/2017)  
Model Number: MFL2-1050GLED  
Type: Luminaire - Area/Trackway

### Distribution Data (MFL2L-200GLED)

#### Polar Candela Distribution

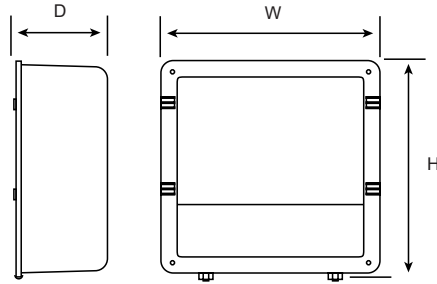


#### Illuminance at a Distance

	Center Beam fc	Beam Width	
4.0ft	1,176.2 fc	6.1 fc	4.2 fc
8.0ft	294.0 fc	12.2 fc	8.4 fc
12.0ft	130.7 fc	18.3 fc	12.6 fc
16.0ft	73.5 fc	24.5 fc	16.8 fc
20.0ft	47.0 fc	30.6 fc	21.0 fc
24.0ft	32.7 fc	36.7 fc	25.2 fc

Vert. Spread: 74.8°  
Horiz. Spread: 55.3°

# LED LARGE FLOOD LIGHT

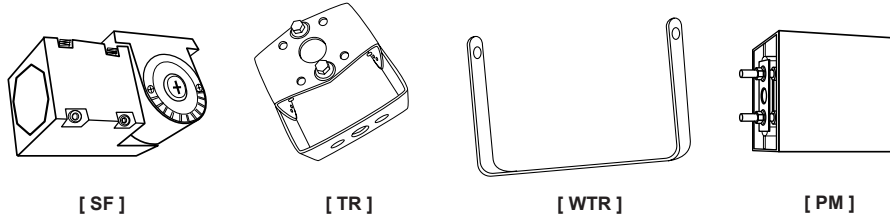


**Specifications: MFL2L**

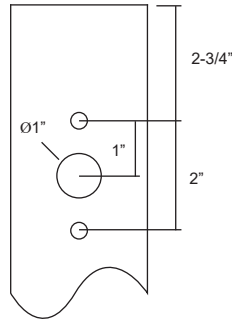
Height: 23-3/4 (603)  
 Width: 23-5/8 (600)  
 Depth: 10-1/16 (256)  
 Weight: 50.67 lbs (22.98 kg)

All dimensions are in inches (millimeters).

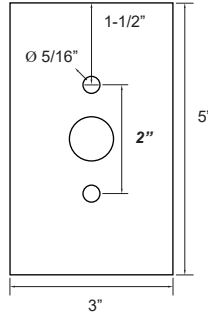
**MOUNTING OPTIONS**



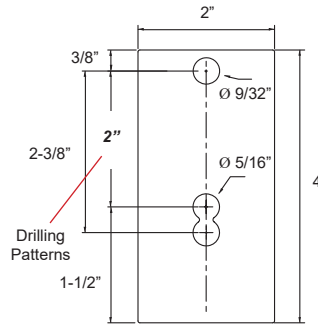
Top of Pole



**PM DRILLING PATTERN**



**PM10**



**PM6, PM8**

**ORDERING INFORMATION**

**EXAMPLE: MFL2L-200G5LED-50K-UNV-SF-BZ**

MODEL	LED	COLOR TEMP.	DISTRIBUTION	VOLTAGE	MOUNTING ARM
MFL2L <sup>1</sup>	<b>200G5LED</b> 200W LED <b>250G5LED</b> 250W LED	<b>-35K</b> 3500K <b>-40K</b> 4000K <b>-50K</b> 5000K (Std.)	<b>(Blank)</b> Wide (Std.)	<b>UNV</b> 120-277V (Std.) <b>347</b> 347V <b>480</b> 480V	<b>SF</b> Slip Fitter Mount (Std.) <b>TR</b> Yoke Mount <b>WTR</b> Wide Yoke Mount <b>PM6R</b> 6" Long Round Pole Mount Arm <sup>2</sup> <b>PM6S</b> 6" Long Square Pole Mount Arm <sup>2</sup> <b>PM8R</b> 8" Long Round Pole Mount Arm <sup>2</sup> <b>PM8S</b> 8" Long Square Pole Mount Arm <sup>2</sup> <b>PM10R</b> 10" Long Round Pole Mount Arm <sup>3,4</sup> <b>PM10S</b> 10" Long Square Pole Mount Arm <sup>3</sup>

FINISH		OPTIONS			
<b>BZ</b>	Dark Bronze (Std.) <small>* Available custom color (RAL) Please provide us with the RAL number. * Non-standard finish with extra charge.</small>	<b>F1</b>	Single Fuse (120V, 277V, 347V must specify voltage)	<b>EMC</b>	CEC compliant EM <sup>6</sup>
		<b>F2</b>	Double Fuse (208V, 240V, 480V must specify voltage)	<b>DM</b>	Dimming, 1-10V DIM (10-100%)
		<b>TLPC</b>	Twist-Lock Receptacle Photocell, must specify voltage	<b>O7W</b>	Optional 7 Years Limited Warranty <sup>7</sup>
		<b>EM</b>	10W EM Battery Backup (32°F~131°F, 0°C~55°C) <sup>7</sup>	<b>O10W</b>	Optional 10 Years Limited Warranty <sup>7</sup>
		<b>EMCW</b>	10W EM Battery Backup for cold weather (-4°F~131°F, -20°C~55°C) <sup>5</sup>	<b>BG</b>	Bird Guard, Stainless Steel Spikes

**NOTES:**

- For 250W maximum.
- Able to use with single head (DM19) or double head (DM218) only. For consult the pole mounting option.
- 10" arm required when two or more luminaires are oriented on a 90° drilling pattern.
- 2 or 4pcs in 90 degree installation on 4" round pole is not available.
- Must specify voltage, not available with 347V/480V.
- Check with factory for more details.
- This limited warranty covers electrical parts only and does not apply to labor, equipment lease, or defect from improper installation or operation.