

MFL6 LED INSTALLATION INSTRUCTIONS



BEFORE YOU BEGIN
Read and follow all safety instructions



WARNING

RISK OF FIRE, EXPLOSION AND ELECTRIC SHOCK

- This product should be installed, inspected, and maintained by a qualified electrician only, in accordance with the NEC (National Electric Code) and all local codes.
- Turn off electrical power before inspection, installation or removal.
- Use only UL (or other NRTL) approved wire for input/output connections.
- Make sure LEDs and drivers are cool to touch when performing maintenance. Make sure the supply voltage is the same as the rated voltage of the luminaire.
- Do not install in a hazardous atmosphere, except where the ambient temperature does not exceed the rated operating temperature of the fixture.
- Keep tightly closed when in operation



Prepare Electrical Wiring



Electrical Requirements

Must check if the local voltage range is correspond with the working voltage of the fixture. Use min. 75°C supply.



Grounding Instructions

The grounding and bonding of the overall system shall be done in accordance with NEC Article 600 and local codes.



Follow all applicable safety procedures and use Personal Protective Equipment such as hardhats, safety glasses, reflective vest, electrical safety gloves, fall protection equipment and safety toe boots during the installation, operation, and maintenance of the luminaire.

*** Any damage caused from improper installation will void warranty and not be accepted for RGA (Return Goods Authorization). Improper installation includes but not limited to field-drilled hole(s), improper latch closure and any damage caused during installation.**

Contractor is responsible for adequately reinforcing ceilings to support luminaire weight. Utopia Lighting accepts no responsibility for inadequately reinforced ceilings. The information contained in this drawing is the sole property of Utopia Lighting.

Any reproduction in part or whole without the written permission of Utopia Lighting is prohibited and warranty is voided.

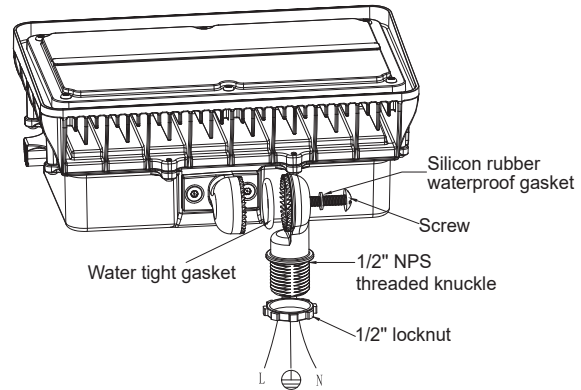


MFL6 LED

INSTALLATION INSTRUCTIONS

1/2" NPS Knuckle Mount [FIG.1]

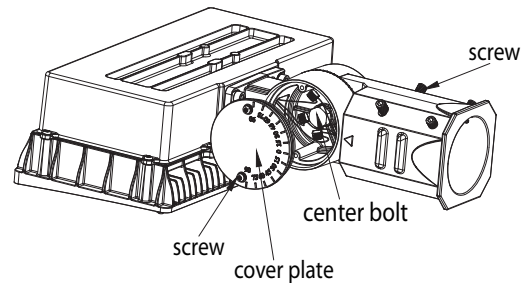
1. Thread knuckle into the 1/2" NPS hole and secure it with 1/2" locknut.
2. Make electrical connections from the supply ground (L/N/GND) lead to fixture ground (L/N/GND) lead respectively. Make sure to follow all National Electrical Code and all applicable local codes.
3. While making electrical connections, ensure water does not enter fixture through 1/2" fitter.
4. Aim fixture by loosening a screw on knuckle of fitter and rotate fixture to desired tilt angle. Retighten the screw.



[FIG.1]

Slip Fitter Mount [FIG.2]

1. Connect the wires to L / N / GND.
2. Remove the cover and adjust the bracket to the desired angle.
3. Install the bracket on the pole and fix it with screws.



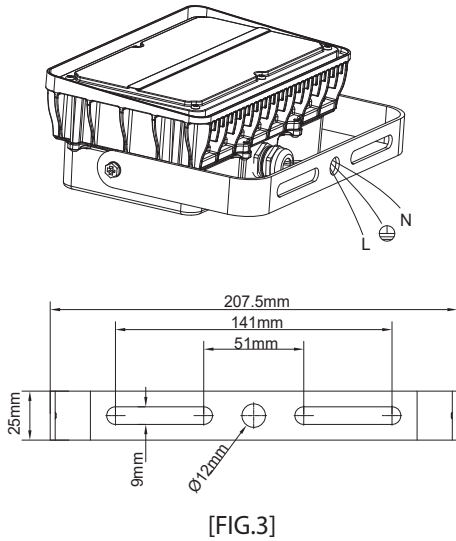
[FIG.2]



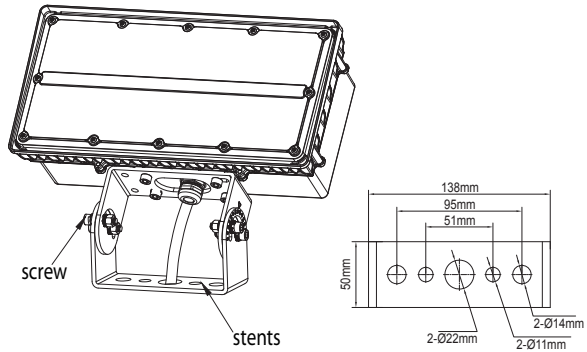
MFL6 LED

INSTALLATION INSTRUCTIONS

Trunnion Mount [FIG.3,4]



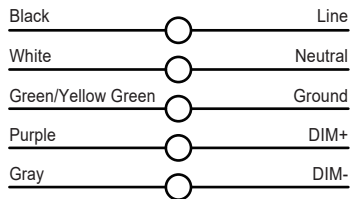
[FIG.3]



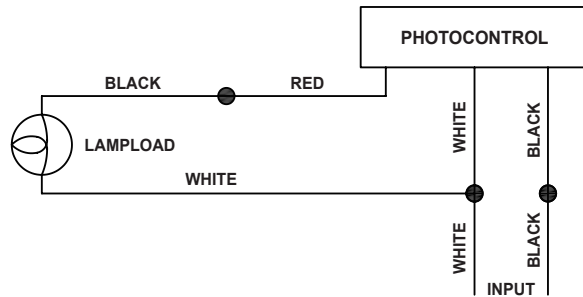
[FIG.4]

1. Mount the fixture to the surface using the hole pattern provided on the trunnion bracket.
2. Loosen the center bolt and set screw.
3. Rotate the fixture to desired aiming position and tighten the center bolt.
4. Tighten the set screws.
5. Make electrical connections from the supply ground (L/N/GND) lead to fixture ground (L/N/GND) lead respectively. Make sure to follow all National Electrical Code and all applicable local codes.
6. While making electrical connections, ensure water does not enter fixture through 1/2" fitter.

Standard Wiring



With Photocell Wiring



* Any damage caused from improper installation will void warranty and not be accepted for RGA (Return Goods Authorization). Improper installation includes but not limited to field-drilled hole(s), improper latch closure and any damage caused during installation.

Contractor is responsible for adequately reinforcing ceilings to support luminaire weight. Utopia Lighting accepts no responsibility for inadequately reinforced ceilings. The information contained in this drawing is the sole property of Utopia Lighting.

Any reproduction in part or whole without the written permission of Utopia Lighting is prohibited and warranty is voided.

