

# MFL8 LED

Project Name:	
Type:	



**APPLICATION**

MFL8 aims to provide customers with an economical, efficient, flexible and long-life floodlight. The low-profile and stylish exterior design can be well integrated into various architectural environments. MFL8 is very suitable for general flood lighting of courtyards, driveways, buildings, billboards, etc.

**FEATURES:**

- Die-cast aluminum optimize the best heat dissipation management as the main part of the fixture, which effectively improves the LED efficiency.
- Durable surface coating powder spraying and fully sealed tempered glass can extend the durability of the fixture.
- One-piece die-cast aluminum housing with optimal thermal management both enhances LED efficacy and extends fixture's life.
- Field adjustable wattage and color temperature.

**MOUNTING:**

- 1/2" NPS Knuckle, Slipfitter, Trunnion and Yoke are all available.

**LED:**

- Lumileds LED
- Color Temperature: 3000 / 4000 / 5000K
- Lumen efficiency: up to 161 lm/W
- Color rendering index > 70
- Life span: 50,000 hours

**OPTIC:**

- Optics(NEMA Type): 7Hx7V.
- Scalable Lumen Packages from 2,050 to 19,000 Lumens.
- The use of advanced refraction and reflection optical design concepts provides an optimal combination of vertical and horizontal illumination.
- The heat-resistant and impact-resistant toughened glass maximizes light extraction while obtaining a great night appearance.

**ELECTRICAL:**

- Universal 120-277 VAC input voltage.
- 1-10V dimming.
- Both drivers have a power factor >90%, THD <20%.
- Operating Temperature Range: -40°C - + 40°C (-40°F - + 104°F).

**LISTING:**

- UL / cUL listed.
- DLC Premium listed.
- IP65
- IES LM-80 results and TM-21 calculations
- Suitable for wet location.
- 5 years limited warranty.
- ARRA compliant. (optional)

**SPECIFICATION**

	Model#	Voltage	DIST. TYPE	CRI	Lumen Output (3000K)	Lumen Efficiency (3000K)	Lumen Output (4000K)	Lumen Efficiency (4000K)	Lumen Output (5000K)	Lumen Efficiency (5000K)	Mounting
MFL8	27LED	120-277V	7Hx7V	70	3500 lm	130 lm/W	3800 lm	141 lm/W	3600 lm	133 lm/W	KN
	65LED				9200 lm	142 lm/W	9700 lm	149 lm/W	9400 lm	145 lm/W	KN, TR
	120LED				17500 lm	146 lm/W	19000 lm	158 lm/W	18000 lm	150 lm/W	YK, SF

**ADJUSTABLE LUMEN OUTPUT TABLE**

SETTING	27W		65W		120W	
	SYSTEM WATTS	LUMENS (5000K)	SYSTEM WATTS	LUMENS (5000K)	SYSTEM WATTS	LUMENS (5000K)
100%	27.23	3672	65.5	9438	122.9	18092
80%	20.4	2856	54.3	7824	98.82	15119
60%	15.52	2234	41.2	5937	71.28	11206
40%	11.4	1690	27.5	3963	52.8	8581

# MFL8 LED

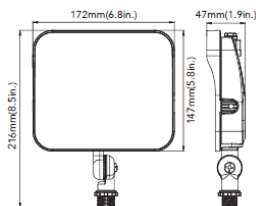
ORDERING INFORMATION

EXAMPLE: MFL8-L27-3T-UNV-D-BZ-KN

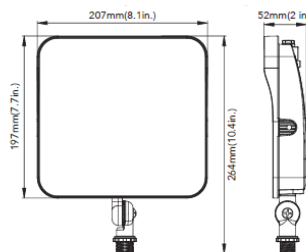
MODEL	LED	COLOR TEMP.	VOLTAGE	DIMMING
MFL8	<b>L27</b> 27W LED with Adjustable output control (100/80/60/40%) <b>L65</b> 65W LED with Adjustable output control (100/80/60/40%) <b>L120</b> 120W LED with Adjustable output control (100/80/60/40%)	-3T Selectable 30/40/50K	UNV 120-277V	D 1-10V dim

FINISH	OPTICS	MOUNTING	OPTIONS
<b>BZ</b> Dark Bronze RAL#8019 (Std.) <b>*BK</b> Black RAL#9011 <b>*WH</b> White RAL#9016 <b>*GR</b> Gray RAL#7045 <b>**CC</b> Custom Color * Non-standard finish with extra charge. ** Additional charge & set up fee.	(Blank) 7H x 7V	<b>KN</b> Knuckle Mount <b>TR</b> Trunnion Mount <b>YK</b> Yoke Mount <b>SF</b> Slip Fitter * Refer to configuration chart for availability	ARRA Assembled in USA for Buy American act

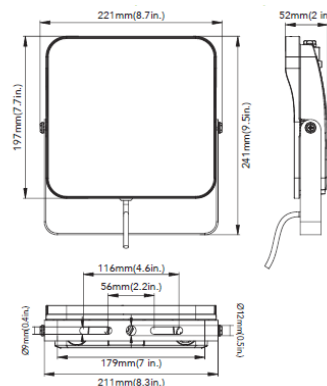
27LED (KNUCKLE MOUNT)



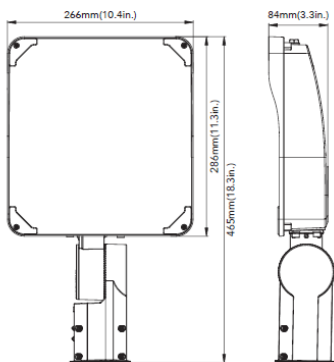
65LED (KNUCKLE MOUNT)



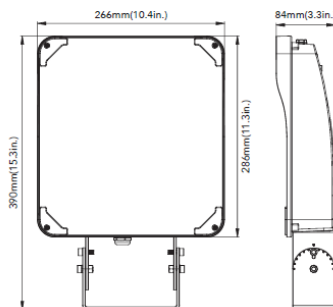
65LED (TRUNNION MOUNT)



120LED (SLIP FITTER)



120LED (YOKE MOUNT)



# MFL8 LED

## MOUNTING



KNUCKLE MOUNT (27W/65W)



TRUNNION MOUNT (65W)



SLIP FITTER (120W)



YOKE MOUNT (120W)