

MC054V RC & MH01

Remote Control Microwave Sensor / Dimming Function



Introduction

- Sensor parameters can be conveniently set by a remote control.
- Mounting height up to 15m max. , suitable for warehouse use.
- Water proof sensor with IP65 rating.
- Automatic dimming when used in combination with 1-10V dimmable control gears.
- Built-in adjustable daylight sensor.
- 1-10V interface can match up with Merrytek stand-alone daylight sensor MS01 and achieve daylight harvesting.
- Optional mounting brackets for different application.

The MC054V RC sensor is innovative and active motion detectors with HF system 5.8GHz. Motion can be detected through plastic, glass and thin non-metal materials. except the higher mounting height 15m Max.

The sensors allow energy saving without compromising comfort. When used in combination with 1-10V dimmable LED drivers or ballasts, they can achieve 3-step dimming function, which is perfect for use in some areas that requires a light change notice before totally switch off.

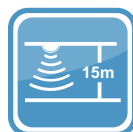
Also, the infrared remote controller design makes the customer to adjust the parameters of the sensors easily.



Max.8M



Hold Time
5s~30min



Mounting Height
15m Max.



Automatic
Dimming

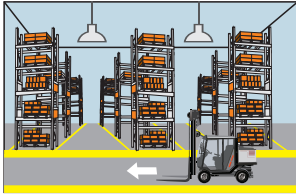


5 Years
Guarantee

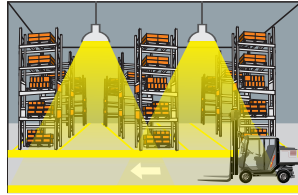
Dimming Function

3-step dimming function

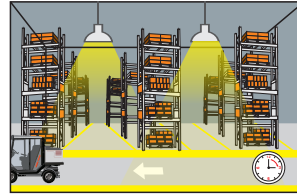
When used in combination with 1-10V dimmable LED drivers and ballasts, the sensors can achieve 3-step dimming function, 100%---> low light--->off. And the sensors build in adjustable daylight sensors, very easy to install and cost-effective.



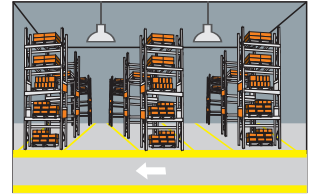
With sufficient ambient light, the sensor does not switch on the lamp.



With insufficient ambient light, the sensor switches on the lamp when motion is detected.

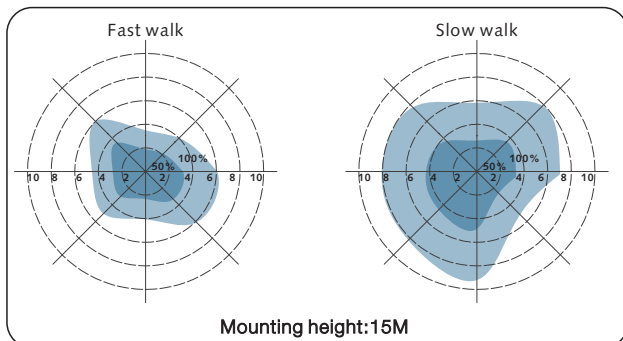
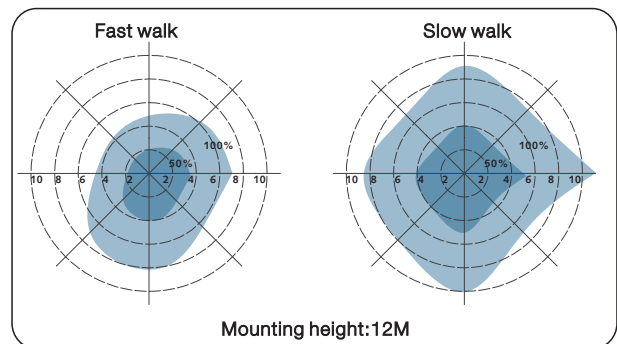
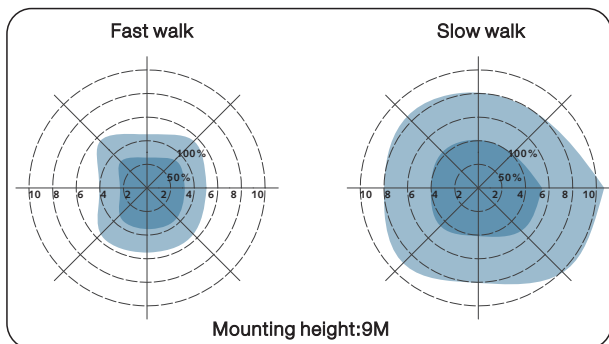
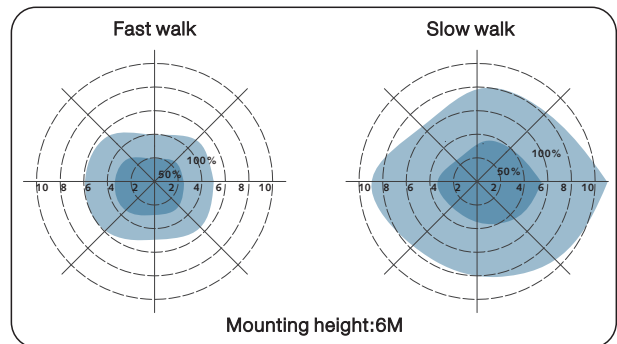
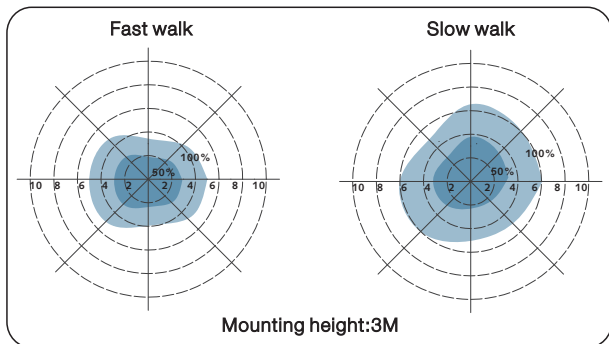


After hold time, the sensor dims the lamp at a low light level if no new motion trigger.



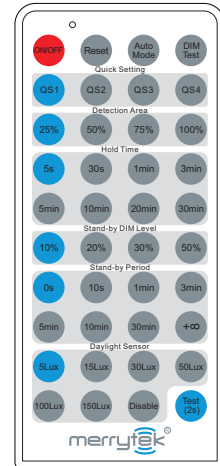
After stand-by period, the sensor switches off the lamp if no motion is detected in its detection zone.

Detection Pattern



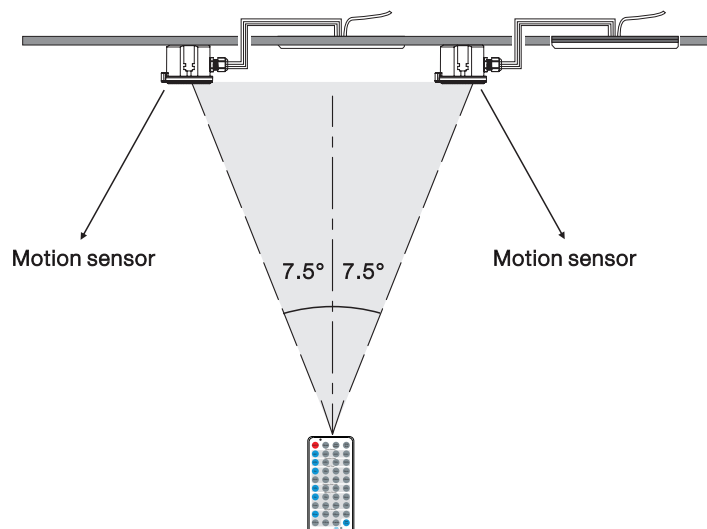
Settings (Remote Control MH01)

Button	Remarks																														
	Press the "ON/OFF" button, the light goes to constant on or constant off mode, sensor is disabled. Press "Reset" or "Auto Mode" button to quit from this mode.																														
	Press "Reset" button, all parameters are same as setting of DIP switch.																														
	Press "Auto Mode" button, the sensor starts to work and all parameter setting will be remained the same as the previous status before the light was switched on/off.																														
	Press "DIM Test" button to test dimming function. Sensor will dim automatically and return to normal work mode.																														
	The button "Test(2s)" is for factory testing purpose only. The sensor will go to test mode, Detection sensitivity: 100% Hold time: 2sec stand-by dim level:10% Stand-by period: 0s Daylight sensor: Disable Test mode can be quit by pressing any button.																														
 	<table border="1"> <thead> <tr> <th>scene Options</th> <th>Detection Area</th> <th>Hold Time</th> <th>Stand-by period</th> <th>Stand-by dim level</th> <th>Daylight Sensor</th> </tr> </thead> <tbody> <tr> <td>QS1</td> <td>100%</td> <td>30s</td> <td>1min</td> <td>10%</td> <td>5Lux</td> </tr> <tr> <td>QS2</td> <td>100%</td> <td>1min</td> <td>3min</td> <td>10%</td> <td>10Lux</td> </tr> <tr> <td>QS3</td> <td>100%</td> <td>5min</td> <td>10min</td> <td>10%</td> <td>30Lux</td> </tr> <tr> <td>QS4</td> <td>100%</td> <td>10min</td> <td>30min</td> <td>10%</td> <td>Disable</td> </tr> </tbody> </table> <p>Note: Detection area / Hold time /Stand-by period / Stand-by dim level / Daylight sensor can be adjust by pressing corresponding button. The latest setting stays in validity.</p>	scene Options	Detection Area	Hold Time	Stand-by period	Stand-by dim level	Daylight Sensor	QS1	100%	30s	1min	10%	5Lux	QS2	100%	1min	3min	10%	10Lux	QS3	100%	5min	10min	10%	30Lux	QS4	100%	10min	30min	10%	Disable
scene Options	Detection Area	Hold Time	Stand-by period	Stand-by dim level	Daylight Sensor																										
QS1	100%	30s	1min	10%	5Lux																										
QS2	100%	1min	3min	10%	10Lux																										
QS3	100%	5min	10min	10%	30Lux																										
QS4	100%	10min	30min	10%	Disable																										



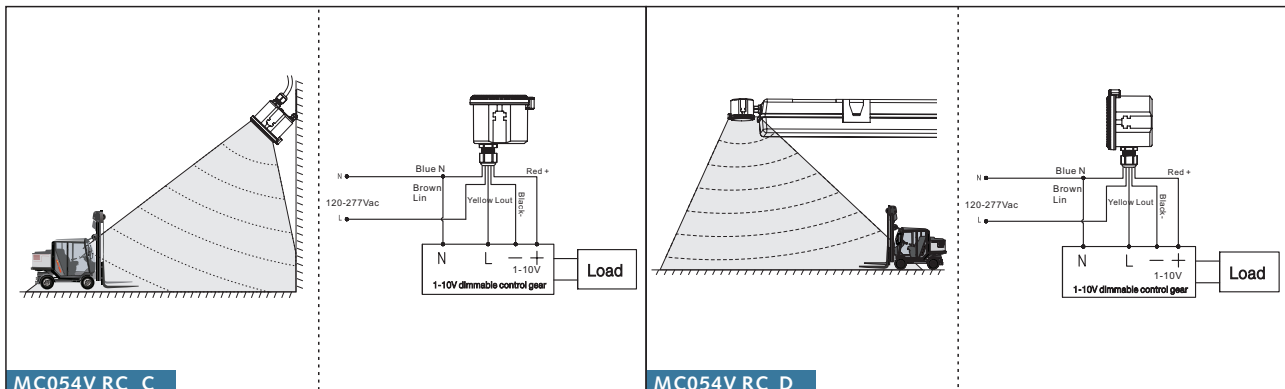
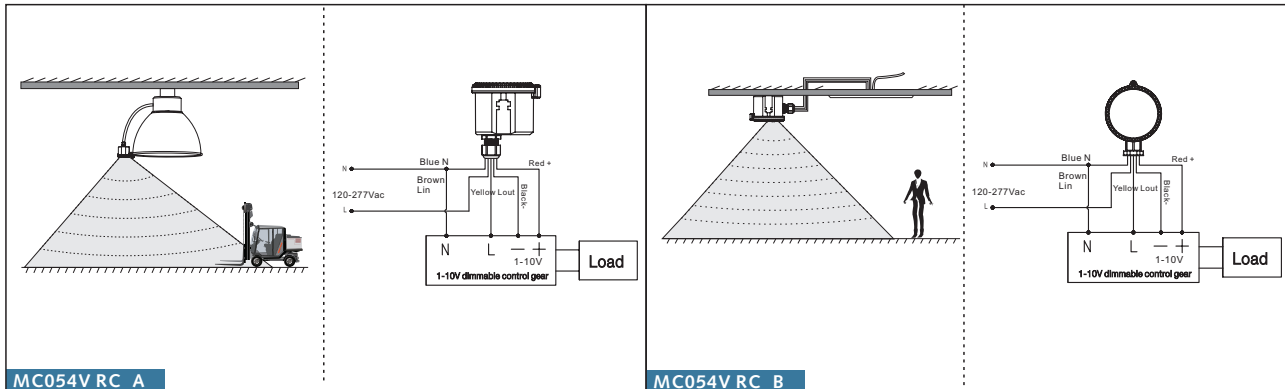
As the control angle of the Infrared Remote Control is fixed (15°), if sensors are installed too close to each other, settings of both sensors will be configured. Please refer to the below chart for the distance of the installation of the sensor:

Mounting height	Distance between sensors
15m	4m
12m	3.4m
9m	2.4m
6m	1.6m
3m	0.8m



MC054V RC A		MC054V RC B		MC054V RC C		MC054V RC D	
Metal Reflector Clip		Oval Surface Mounted Bracket		Rotatable Metal Bracket			
	1X		2X		4X		

Wiring scheme



Setting

By selecting the combination on the DIP switch, sensor data can be precisely set for each specific application.

	1	
I	ON	100%
II	-	50%

Detection area

Detection area can be reduced by selecting the combination on the DIP switches to fit precisely each application.

	2	3	4	
I	ON	ON	ON	5S
II	-	ON	ON	30S
III	ON	-	ON	1min
IV	-	-	ON	3min
V	ON	ON	-	20min
VI	-	-	-	30min

Hold time

Refers to the time period the lamp remains at 100% illumination after no motion detected.

	1	2	3	
I	ON	ON	ON	0S
II	-	ON	ON	1min
III	ON	-	ON	3min
IV	-	-	ON	10min
V	ON	ON	-	30min
VI	-	-	-	+∞

Stand-by period

Refers to the time period the lamp remains at a low light level before it completely switches off in the long absence of people. When set to "+∞" mode, the low light is maintained until motion is detected.

	4	5	
I	ON	ON	10%
II	ON	-	20%
III	-	ON	30%
IV	-	-	50%

Stand-by dimming level

The low light level you would like to have after the hold time in the long absence of people.

	6	7	8	9	
I	ON	ON	ON	ON	5Lux
II	-	ON	ON	ON	15Lux
III	ON	-	ON	ON	30Lux
IV	-	-	ON	ON	50Lux
V	ON	ON	-	ON	100Lux
VI	ON	ON	ON	-	150Lux
VII	-	-	-	-	Disable

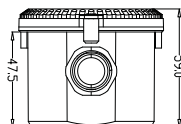
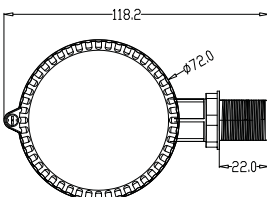
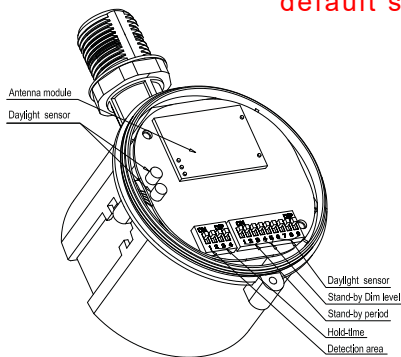
Daylight sensor

The sensor can be set to only allow the lamp to illuminate below a defined ambient brightness threshold.

When set to Disable mode, the daylight sensor will switch on the lamp when motion is detected regardless of ambient light level.

Note that daylight sensor is active only when lamp totally switches off.

Technical Parameters



*default setting

Operating voltage	120~277Vac, 50/60Hz
Rated load	400W@120vAC, 800W@220~277Vac (Inductive) 800W@120Vac, 1200W@220~277Vac (Resistive)
Power consumption	< 1W
HF system	5.8GHz ±75MHz, ISM wave band
Transmitting power	< 0.5mW
Detection area	5-8m(@mounting height 6m)
Detection sensitivity	25%/50%/75%/100%
Hold time	5s/30s/1min/3min/5min/10min/20min/30min
Daylight sensor	5lux/15lux/30lux/50lux/100lux/150lux/disable
Stand-by period	0s/10s/1min/3min/5min/10min/30min/+∞
Stand-by DIM level	10%/20%/30%/50%
Mounting height	6-15m
Motion detection	0.5~3m/s
Detection angle	150°(wall installation) 360°(ceiling installation)
Operating temperature	-25℃~ 55℃
IP rating	IP65