

PSL

Project Name:	
Type:	



APPLICATION

The polycarbonate canopy luminaire provides a wide and even symmetrical light distribution. Surface ceiling mounting. Ideal for safety or security location, parking areas, entrances, lobbies, walkways and underpasses.

FEATURES:

- Injection-molded, one-piece high impact polycarbonate housing and prismatic polycarbonate refractor.
- Polycarbonate housing with a dark bronze powder coated finish. Other color finish available.
- One piece anodized aluminum designed reflector for best light efficiency.
- 1/2" tapped holes available for installing a photocell. (not included)
- Housing has silicone gaskets to secure the seal between the lenses and the housing.

ELECTRICAL:

- HPS ballasts are standard high power factor ballast with ambient operating temperature of -40°F (-40°C); 180°C insulation system.
- Compact fluorescent lamps use a multi-voltage (120-277V) high power factor, programmed start ballast, 0°F (-18°C) starting temperature (fluorescent).

LISTING:

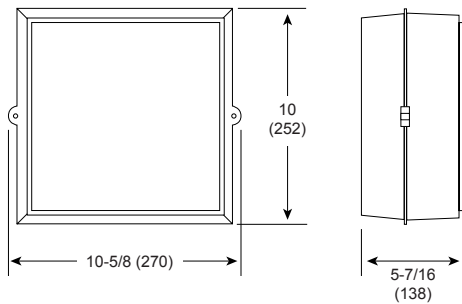
- UL/CUL listed.
- Suitable for wet location.
- ARRA compliant.

MOUNTING:

- Surface/ceiling mount.

LAMP:

- HID lamps have medium base (E26 BD/ED17) porcelain socket with screw shell and center contact. UL approved socket.
- Compact fluorescent is (1 or 2) 13W, 18W and 26W quad tube 4-pin base option available.
- Lamp included.



Specifications: PSL

Depth: 5-7/16 (138)
 Width 1: 10 (252)
 Width 2: 10-5/8 (270)

All dimensions are in inches (millimeters).

ORDERING INFORMATION

EXAMPLE: PSL-126-120-BZ

MODEL	LAMP TYPE	VOLTAGE	FINISH	OPTIONS
PSL	H70 70W High Pressure Sodium	UNV 120-277V ¹ 120 120V 208 208V 240 240V 277 277V QT 120/208/240/277V	BZ Dark Bronze (Std.) WH White BK Black <small>* Available custom color (RAL) Please provide us with the RAL number.</small>	F1 Single Fuse (120, 277 or 347V only) ² F2 Double Fuse (208, 240 or 480V only) ² CW Cold Weather Ballast, Operating Temperature of -20°F (-30°C). PC1 With Photocell - Button Type 120V PC2 With Photocell - Button Type 277V
	113 (1) CF13 DTT, 4-pin			
	213 (2) CF13 DTT, 4-pin			
	118 (1) CF18 DTT, 4-pin			
	218 (2) CF18 DTT, 4-pin			
	126 (1) CF26 DTT, 4-pin			
	226 (2) CF26 DTT, 4-pin			

NOTES:

1. CFL electronic HPF ballast for 4-pin base lamps.
2. Must specify voltage.