

RHB-3G

Project Name:	
Type:	



APPLICATION

The RHB-3G UFO high bay is a premium round LED high bay luminaire, designed to illuminate a wide variety of settings including commercial, industrial and retail such as warehouse, manufacturing plants, logistic center and etc.

FEATURES:

- Rugged die-cast housing with corrosion-resistant powder coating for effective protection.
- Black finish standard.
- Motion sensor is optional.
- Increase energy savings with optional sensors.
- Optional emergency function for emergency needs.

MOUNTING:

- Hook mount, pendant(3/4") mount and surface mount(TR) available.
- 30" safety cable included as standard.

LED:

- Scalable Lumen Packages from 14,500 to 36,000 Lumens replaces to 400W and Higher watt fixture.
- CRI >70
- Efficacy up to 180 lm/W.
- Color temperature: 4000K or 5000K selectable

OPTICS:

- Anti-UV prismatic translucent polycarbonate lens is designed to shape the light uniformity and controls the glare light.

ELECTRICAL:

- 0-10V dimming standard for a dimming range of 100% to 10%.
- Power factor >0.90, 6KV surge protection.
- 120-277V, 50~60Hz standard.
- Operating temperature: -40°C to 45°C (-40°F to 113°F).
- Comes with 6ft SJTW 3-wire cord as standard.

LISTING:

- UL/cUL listed for wet location.
- 5 years limited warranty.
- DLC Premium listed. ¹
- 50,000 hours LED lifespan based on IES LM-80 results and TM-21 calculations.
- ARRA compliant. (optional)

ORDERING INFORMATION

EXAMPLE: RHB-3G-210L-2T-UNV

MODEL	LED		COLOR TEMP.	CRI	VOLTAGE	
RHB-3G	150L 210L 230L	150/120/90/60W LED (adjustable) 210/168/126/84W LED (adjustable) 230/184/138/92W LED (adjustable)	-2T 4000/5000K Field Selectable	(Blank) 70+ CRI	UNV HV	120-277V 347/480V ²

MOUNTING		FINISH		REFLECTOR		OPTIONS	
(Blank) TR	Hook or 3/4" Conduit Pendant U-Bracket for surface mount	(Blank) WH BZ GR	Black RAL#9011 (Std.) White (RAL#9010) Dark Bronze (RAL#8019) Dark Grey (RAL#7016)	ARL ARS	Aluminum reflector for 210W and 230W Aluminum reflector for 150W	EM15 EM25 MS MS-BLE SCKxx	2430 Lumen EM Battery backup for 150W (5°C to 50°C Operating temperature) 4050 LUMEN EM Battery Back up for 210W and 230W (5°C to 50°C Operating temperature) Plug and Play 0-10V Dimming PIR Motion Sensor Bluetooth Plug and Play PIR Motion Sensor Safety Cable Kit (xx=50", 96", 120", 150", 192", 240")

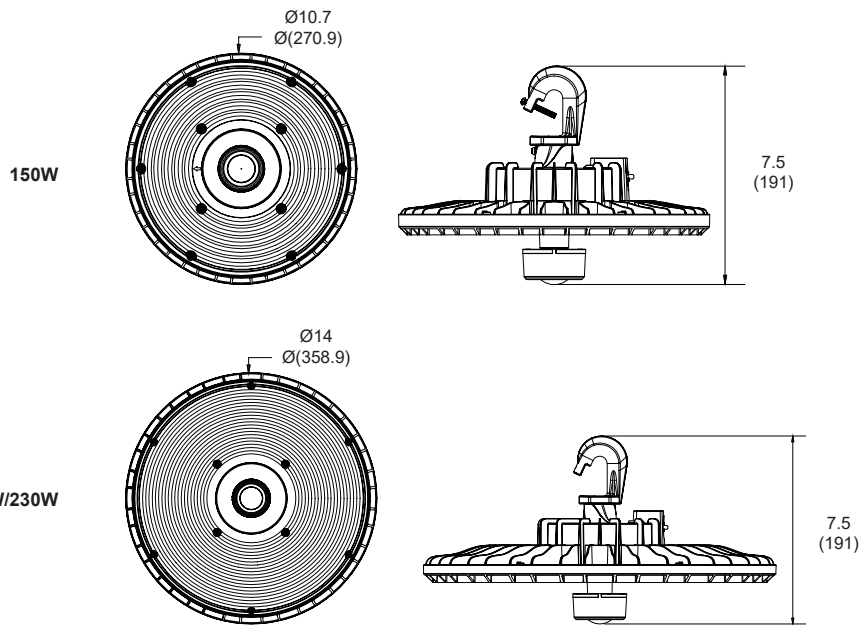
NOTES:

1. DesignLights Consortium® (DLC) qualified product. Not all versions of this product may be DLC qualified. Please check the DLC Qualified Products List at www.designlights.org/QPL to confirm which versions are qualified.
2. Stepdown transformer with Transformer box as standard.

RHB-3G

CONFIGURATIONS

Series	Setting	System Watts	Lumen Output (40K)	Lumen Efficiency (40K)	Lumen Output (50K)	Lumen Efficiency (50K)
RHB-3G-150L	100%	150W	24000 lm	160 lm/W	22500 lm	150 lm/W
	80%	120W	20000 lm	167 lm/W	19000 lm	158 lm/W
	60%	90W	15500 lm	172 lm/W	14600 lm	162 lm/W
	40%	60W	10800lm	180 lm/W	10000 lm	167 lm/W
RHB-3G-210L	100%	210W	32000 lm	152 lm/W	30500 lm	145 lm/W
	80%	168W	26500 lm	158 lm/W	25000 lm	149 lm/W
	60%	126W	21000 lm	167 lm/W	20000 lm	159 lm/W
	40%	84W	14500 lm	173 lm/W	14000 lm	167 lm/W
RHB-3G-230L	100%	230W	36000 lm	157 lm/W	35000 lm	152 lm/W
	80%	184W	30000 lm	163 lm/W	29000 lm	158 lm/W
	60%	138W	24000 lm	174 lm/W	23000 lm	167 lm/W
	40%	92W	16500 lm	179 lm/W	16000 lm	174 lm/W

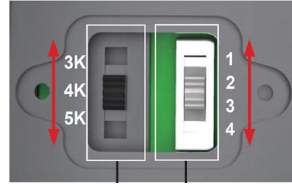


All dimensions are in inches (millimeters).



ARS, ARL

RHB-3G



CCT AND WATTAGE SELECTABLE

This fixture has the function of adjusting the lumens output and color temperature on-site.

Emergency Battery
25W 3500lm 90min

Installation accessory
Available for both hook mount, conduit mount and surface mounting with U-bracket(optional).
U-bracket allows to adjust the direction to illuminate any area you need.

Transformer BOX
Transformer can be easily added into the Junction-box and convert to HV models.

Housing
Rugged die-cast housing with corrosion-resistant powder coating for effective protection.

Plug-and-Play Sensor (optional)
Sensor allows for security and energy saving.

Install in 3-Seconds



Hook Mount



Conduit Pendant Mount



U-Bracket Mount