

RHB2-2G

Project Name:	
Type:	



APPLICATION

The LED UFO high bay is ideal for locations such as commercial, retails, gyms, factories, and warehouse.

FEATURES:

- Sealed one piece die-casting aluminum profile suitable for indoor and outdoor.
- Black finish is standard.

MOUNTING:

- Hook Mount is standard (supports pendant mounting with 3/4" threaded hub).
- 3/4" pipe stem (provided by others)
- Trunnion mount is optional.
- 30" safety cable included as standard.

LENS:

- Polycarbonate optical lens with heat resistant.
- Frosted lens.

LED:

- Lumiled 2835.
- Color temperature: 4000 / 5000 (K)
- Color rendering index: >80
- Life span: 50,000 hrs

ELECTRICAL:

- Input voltage: 100-277Vac., 50/60Hz
- Operating temperature: -40°C to 50°C (-40°F to 122°F)
- 0-10V, 10%~100% dimming is standard.
- Optional passive infrared sensor with daylight harvesting.
- UL 8750 / UL 1310 listed.

LISTING:

- UL, cUL listed.
- Listed to UL 1598 and UL 8750.
- DLC pending.
- Suitable for wet location.
- 5 years limited warranty.
- ARRA compliant. (optional)

ORDERING INFORMATION

EXAMPLE: RHB2-2G-97L-2T-UNV

MODEL	LED / COLOR TEMP.	COLOR TEMP.	VOLTAGE	LENS	FINISH
RHB2-2G	97L-2T	Field Selectable 97/83/65/45W LED, 40/50K CCT	UNV 120-277V	(Blank) Frosted Lens	(Blank) Black RAL#9011 (Std.)

OPTIONS		LIGHTING CONTROL SYSTEM	
EMG8W External 1296 LUMEN EM Battery Backup ⁴ MS Motion Sensor ¹ RC-101 Remote Control ² CS5-515P UL standard non-twisted 120V power plug and cord, 59", black color. SCKxx Safety Cable Kit (xx=50", 96", 120", 150", 192", 240") TR Trunnion Mount ³ ARRA Assembled in USA for Buy American act		PPA102S EPS106-AUX	<Bluetooth> Bluetooth Powerpack (Consult factory for installation location) Bluetooth Plug & Play PIR & Day Light Harvesting Motion Sensor

NOTES:

1. Motion sensor is at factory default setting, please refer to the chart.
2. MS comes with factory default setting, remote is required to adjust the setting.
3. Not available with EMG8W option.
4. Not available with TR mount.

CONFIGURATIONS

	Input Wattage	Lumen Output (4000K)	Lumen Efficiency (4000K)	Lumen Output (5000K)	Lumen Efficiency (5000K)
RHB2-2G-97L-2T	97W	12700 lm	130 lm/W	12300 lm	126 lm/W
	83W	11000 lm	132 lm/W	11000 lm	132 lm/W
	65W	9050 lm	139 lm/W	8900 lm	136 lm/W
	45W	6680 lm	148 lm/W	6480 lm	144 lm/W

RHB2-2G

MOTION SENSOR AT STANDARD SETTING

Sensitivity	100%
Stand-by time/Hold-time	10 Sec.
Detection	When sunlight (daylight) is detected
Dimming Level	20%
Dimming Time	24 hours (* It will dim when daylight is detected)
High Mode	0-10V, default 10V
Low Mode	Off / 0-9.8V, default 1V
Detection Angle	360°
Detection Zone	Max coverage 60' dia. from 40' height
Operating Temperature	-104°F ~ 158°F (-40°C ~ 70°C)
Operating Humidity	20-90%
Rating	IP66



97W (Selectable)



CCT&Power regulator
Our four selectable lumen output (40%/60%/80%/100%) and two CCTs(40&50K)

Installation accessory
Available for both hook mounting and surface mounting with bracket(optional). Bracket allows to adjust the direction to illuminate any area you need.



97W

Built-in sensor(optional)
Microwave sensor allows for security and energy saving.



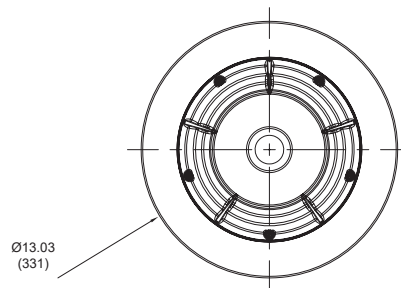
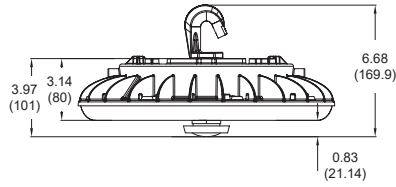
CCT & Power Adjustable



RHB2-2G

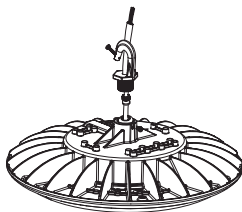
DIMENSIONS

* All dimensions are inches (millimeters).

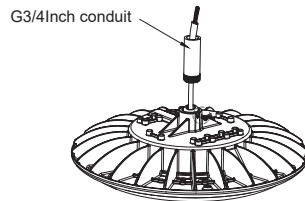


97L-2T

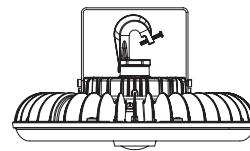
MOUNTING DETAILS



* Hook (included)



* 3/4" pipe stem (provided by others)



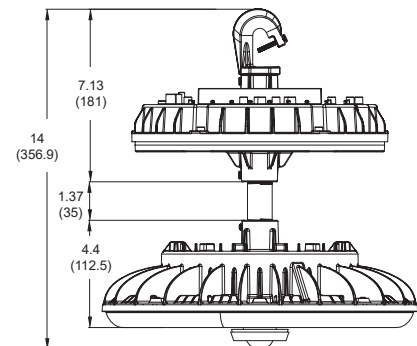
* TR (Trunnion Mount) (optional)

SENSOR DETAILS



EMG8W DETAILS

* Not available with TR mount.



* All dimensions are inches (millimeters).