

RHB2

Project Name:	
Type:	



APPLICATION

The LED UFO high bay is ideal for locations such as commercial, retails, gyms, factories, and warehouse.

FEATURES:

- Sealed one piece die-casting aluminum profile suitable for indoor and outdoor.
- White finish is standard.

MOUNTING:

- Hook Mount is standard (supports pendant mounting with 3/4" threaded hub).
- 3/4" pipe stem (provided by others)
- Trunnion mount is optional, only available on 67/97LED.
- 30" safety cable included as standard.

LENS:

- Polycarbonate optical lens with heat resistant.
- Frosted lens.

LED:

- Lumiled 3030
- Color temperature: 4000 / 5000 (K)
- Color rendering index: >70
- Life span: 50,000 hrs

ELECTRICAL:

- Input voltage: 100-277Vac., 50/60Hz
- Operating temperature: -40°C to 55°C (-40°F to 131°F)
- 0-10V dimming is standard.
- Optional passive infrared sensor with daylight harvesting.
- UL 8750 / UL 1310 listed.

LISTING:

- UL, cUL listed.
- Listed to UL 1598 and UL 8750.
- DLC pending.
- Suitable for wet location.
- 5 years limited warranty.
- ARRA compliant. (optional)

CONFIGURATIONS

	Input Wattage	Lens	Lumen Output	Lumen Efficiency
RHB2	67W	Frosted	9350 lm	140 lm/W
	97W	Frosted	13600 lm	141 lm/W
	140W	Frosted	18900 lm	136 lm/W
	180W	Frosted	23500 lm	136 lm/W

* Based on 5000K

ORDERING INFORMATION

EXAMPLE: RHB2-97L-50K-UNV

MODEL	LED	COLOR TEMP.	VOLTAGE	LENS	FINISH
RHB2	67L 67W LED 97L 97W LED 140L 140W LED 180L 180W LED	-40K 4000K ³ -50K 5000K (Std.)	UNV 120-277V	(Blank) Frosted Lens	(Blank) White (Std.)

OPTIONS		LIGHTING CONTROL SYSTEM	
(Blank)	0-10V Dimming	PPA102S	<Bluetooth> Bluetooth Powerpack (Consult factory for installation location)
EM16	16W EM Battery Backup ⁴		
MS	Motion Sensor ¹		
RC-101	Remote Control ²		
CS5-515P	UL standard non-twisted 120V power plug and cord, 59", black color.		
SCKxx	Safety Cable Kit (xx=50", 96", 120", 150", 192", 240")		
CS6	6ft Cord Installed		
TR	Trunnion Mount		
ARRA	Assembled in USA for Buy American act		

NOTES:

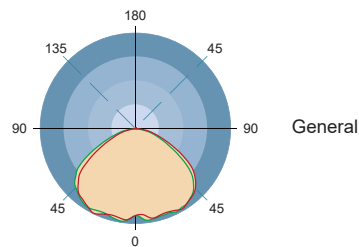
1. Motion sensor is at standard setting, please refer to the chart.
2. If you wish to customize motion sensor, please include this part as well.
3. Not available in 67L model.
4. EM box provided in dark bronze finish as standard. Contact factory for different finish.

RHB2

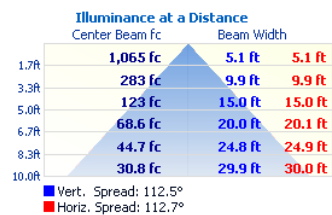
MOTION SENSOR AT STANDARD SETTING

Sensitivity	100%
Stand-by time/Hold-time	10 Sec.
Detection	When sunlight (daylight) is detected
Dimming Level	20%
Dimming Time	24 hours (* It will dim when daylight is detected)

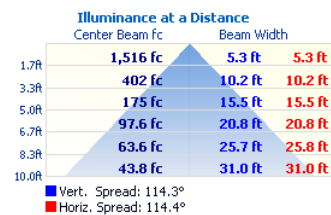
Detection angle	360°
Detection zone	Max. coverage 60' diameter from 40' height
High mode	0-10V/ default 10V
Low mode	Off / 0-9.8V / default 1V
Operating temperature	-104°F ~ 158°F (-40°C ~ 70°C)
Operating Humidity	20-90%
Rating	IP66



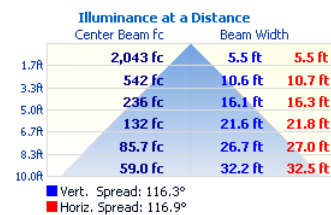
RHB2-67L



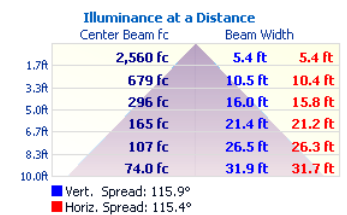
RHB2-97L



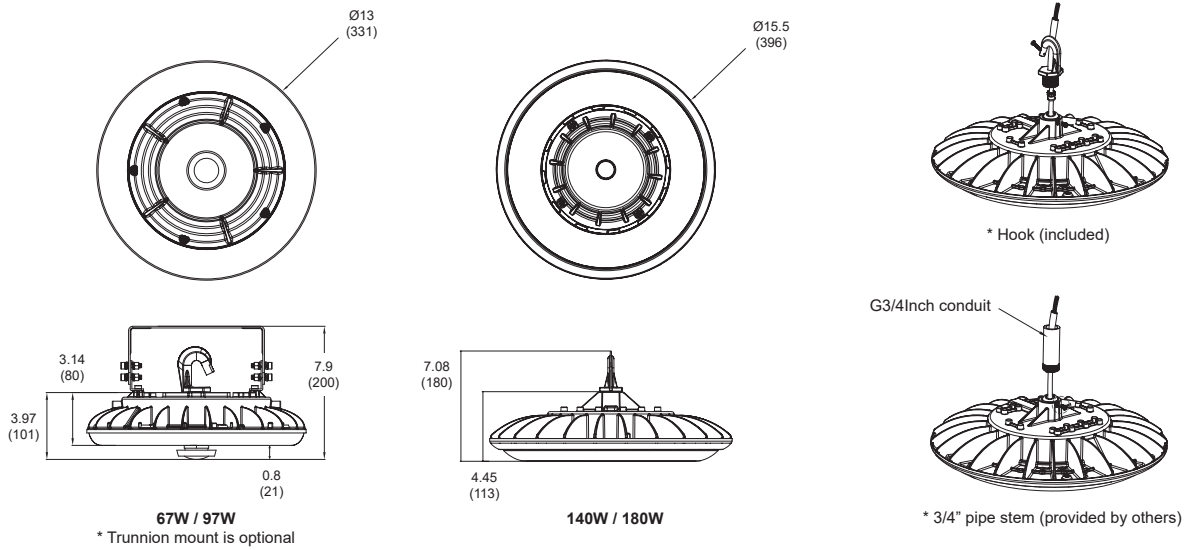
RHB2-140L



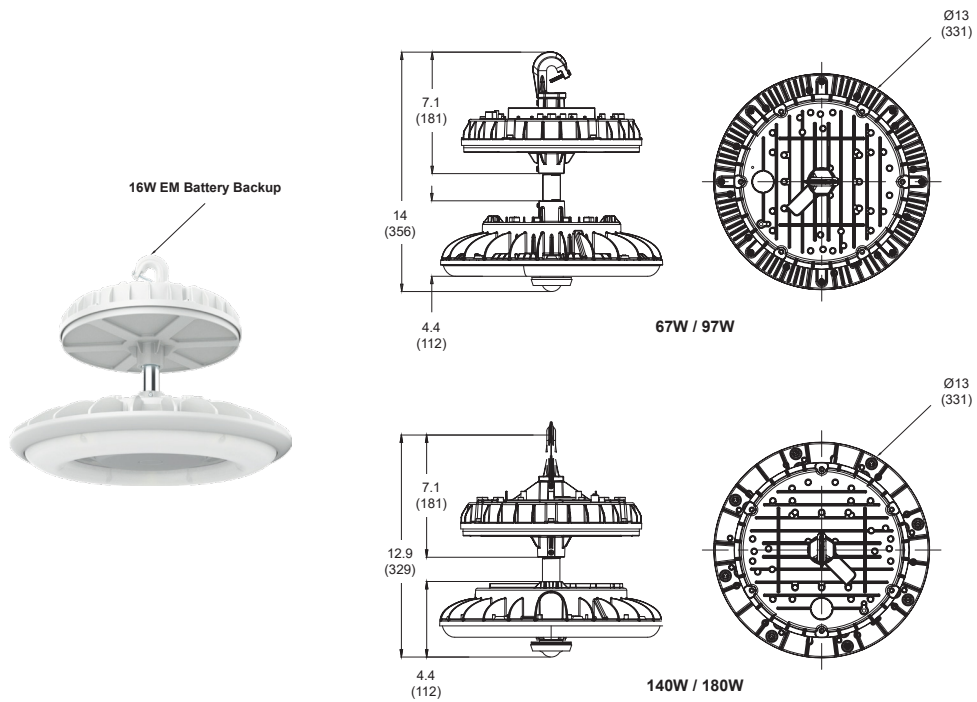
RHB2-180L



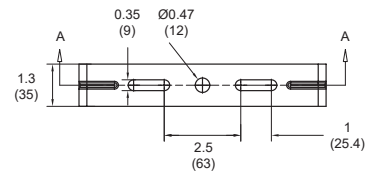
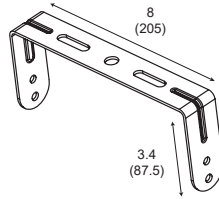
RHB2



All dimensions are inches (millimeters).



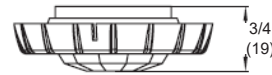
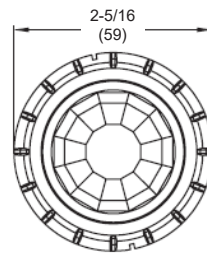
RHB2



Trunnion bracket



Sensor Dimensions



All dimensions are inches (millimeters).