

RHB3-2G

Project Name:	
Type:	



APPLICATION

The LED UFO high bay is suitable for commercial, retail and institutional applications including gyms, factories, and warehouses.

FEATURES:

- Symmetrical design for consistent installed results.
- Resistant to shock and vibration.
- Dark bronze finish is standard.
- Designed to replace 250W and 400W HID.
- PIR sensor is optional.

MOUNTING:

- Hook mount is standard.
- Suitable for pendant mount with 3/4" threaded hub.
- 30" safety cable included as standard.

LENS:

- The standard 120° lens is clear polycarbonate.
- 90° Reflector is optional with or without additional bottom lens.

LED:

- Lumileds 3030.
- Color temperature: 4000, 5000 (K)
- Color rendering index: >70
- Life span: 50,000 hours

ELECTRICAL:

- Input voltage: 100-277Vac., 50/60Hz
- Operating temperature: -40°C to 55°C (-40°F to 131°F)
- 0-10V dimming is standard.
- UL1310 Class 2

LISTING:

- UL / cUL listed.
- Listed to UL 1598 and UL 8750.
- DLC premium pending.
- Suitable for Wet location.
- 5 years warranty.
- ARRA compliant. (optional)

CONFIGURATIONS

	LED	Lens	Lumen Output	Lumen Efficiency
RHB3-2G	135L	120° (Std.)	20171 lm	150 lm/W
	200L		29930 lm	

* Colors based on 4000K

BI-LEVEL PIR SENSOR SPECIFICATIONS

Detection angle	360°
Detection zone	Max. 60' diameter from 40' height
High mode	0-10V/ default 10V
Low mode	Off / 0-9.8V / default 1V
Operating temperature	104°F ~ 158°F (-40°C ~ 70°C)
Operating humidity	20-90%
Rating	IP66
Voltage	120/277VAC, 50/60Hz

ORDERING INFORMATION

EXAMPLE: RHB3-2G-135L-50K-UNV

MODEL	LED	COLOR TEMP.	VOLTAGE	LENS	FINISH
RHB3-2G	135L 200L	135W LED 200W LED	-40K 4000K -50K 5000K (Std.)	UNV 120-277V HV 347/480V ³	(Blank) Clear 120° BZ Dark Bronze (Std.) GR Gray RAL#7036 WH White RAL#9003 BK Black RAL#9011

* Available custom color (RAL)
Please provide us with the RAL number.
* Non-standard finish with extra charge.

REFLECTOR	ADD-ONS	OPTIONS
(Blank) None MGA Moon Glow Acrylic	(Blank) None MGCD Moon Glow Conical Drop Lens FCCD Flat Clear Conical Drop Lens	EM16 2592 LUMEN Emergency Battery Box ^{2,4} BRI823 Bi-level and daylight dimming occupancy sensor, dip switch setting RC-100 Remote control for BRI823 ¹ SCKxx Safety Cable Kit (xx=50", 96", 120", 150", 192", 240") ARRA Assembled in USA for Buy American act

LIGHTING CONTROL SYSTEM	
PPA102S	<Bluetooth> Bluetooth Powerpack (Consult factory for installation location)

NOTES:

1. Remote is optional for the sensor.
2. Applicable ambient temperature: 50°F (10°C) ~ 104°F (40°C)
3. Available with 135W and 200W only.
4. Not available with "HV" voltage option.

RHB3-2G

RHB3-2G-135L

	Illuminance at a Distance	
	Center Beam fc	Beam Width
1.7R	2,893 fc	4.0 ft 3.3 ft
3.3R	768 fc	7.8 ft 6.4 ft
5.0R	334 fc	11.8 ft 9.7 ft
6.7R	186 fc	15.8 ft 13.0 ft
8.3R	121 fc	19.5 ft 16.1 ft
10.0R	83.6 fc	23.5 ft 19.4 ft

■ Vert. Spread: 99.2°
■ Horiz. Spread: 88.4°

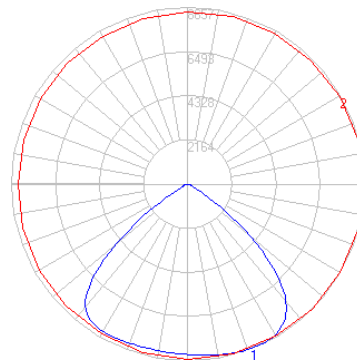
RHB3-2G-200L

	Illuminance at a Distance	
	Center Beam fc	Beam Width
1.7ft	4,293 fc	4.0 ft 3.3 ft
3.3ft	1,139 fc	7.8 ft 6.4 ft
5.0ft	496 fc	11.8 ft 9.7 ft
6.7ft	276 fc	15.8 ft 13.0 ft
8.3ft	180 fc	19.5 ft 16.1 ft
10.0ft	124 fc	23.5 ft 19.4 ft

■ Vert. Spread: 99.2°
■ Horiz. Spread: 88.4°



with EM

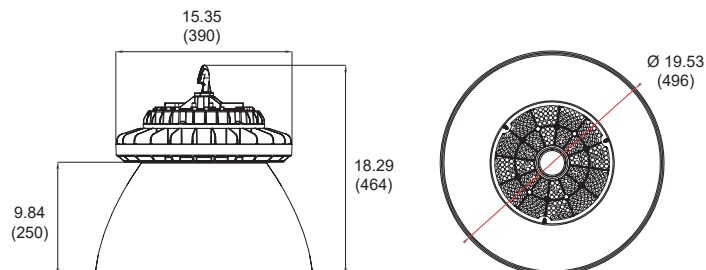
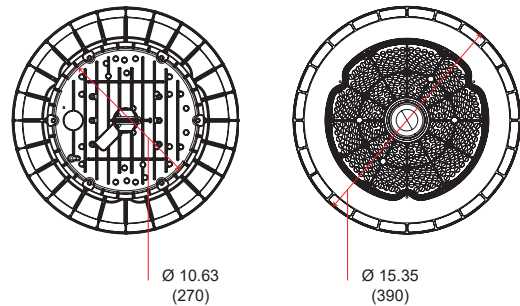
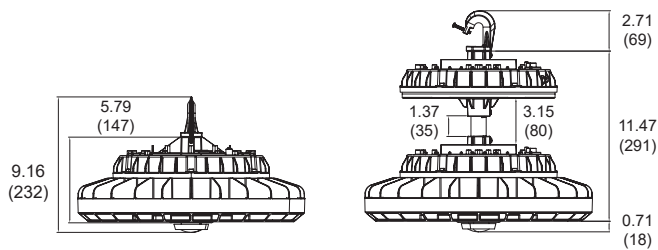


Standard

Weight
 135W: 10.39 lb (4.71kg)
 200W: 10.87 lb (4.93kg)


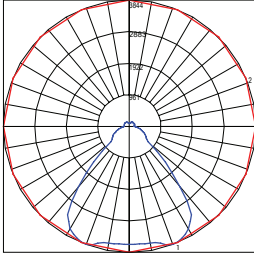
Weight
 135W: 15.16 lb (6.87kg)
 200W: 15.84 lb (7.18kg)



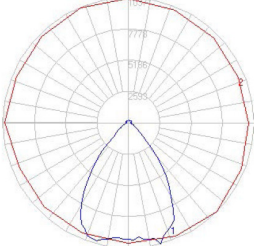
All dimensions are inches (millimeters).
 * All dimensions are the same for all wattage options.



MGA Reflector

RHB3-2G

Reflectors	Distribution
	
MGA	

Adder		Distribution W/ Adder
		
CD (Conical Drop Lens)		