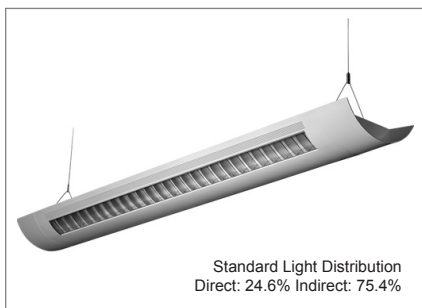


SIOLP

Project Name:	
Type:	



APPLICATION

Architectural indoor, direct/indirect suspended light for T5, T5HO and T8 fluorescent lamps. Reflection from the ceiling creates soft and diffused lighting that ensures maximum visual comfort and balanced shadows. It can be installed individually or in a continuous line. Ideal (for use) for general office, bank, retail and educational environments.

FEATURES:

- Die formed 20 gauge cold-rolled steel housing. Flat steel end plate standard. Powder coated for a long life finish. White finish is standard. Die cast aluminum spade end cap optional.
- 4', 8' and 12' individual fixture sections for nominal suspension spacing of 4', 8' and 12'. Using 4', 8' and 12' sections can be joined to form longer length fixtures.
- Partial perforated with parabolic semi-specular aluminum louvers (standard), white painted steel baffle (WBL) or white painted perforated steel baffle (WPL). Optional Opal White Diffuser (OP) overlay on louver.
- Die formed high-reflective white reflector is standard. Optional anodized specular aluminum reflector.
- Uplight and downlight distribution.
- Textured matte white polyester powder paint.

ELECTRICAL:

- Standard ballast for T8 is high power factor instant start electronic ballast, sound rate A, minimum starting temperature 0°F (-18°C), <10% THD, and input voltage ranges of 120 to 277 volts.
- Standard ballast for T5 or T5HO is high power factor programmed start electronic ballast, sound rate A, minimum starting temperature 0°F (-18°C), <10% THD, and input voltage ranges of 120 to 277 volts.
- Ballast disconnect plug is provided as standard.

LISTING:

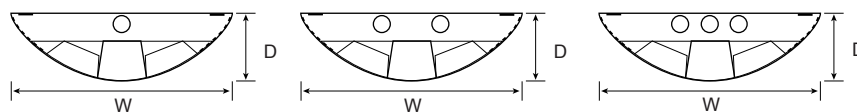
- UL / CUL listed.
- UL listed for dry & damp location.
- ARRA compliant.

MOUNTING:

- Provided with a standard 48" length aircraft cable mount kit for suspended mounting.

LAMP:

- Medium Bi-Pin twist-lock lamp sockets.
- Lamps not included.



Specifications: SIOLP 4', 8', 12'

Length: 48, 96, 144 (1220 / 2439 / 3658)
 Width: 9 (229)
 Depth: 3 (76)
 Weight: SIOLP-R4: 15 lbs (6.81 kg)
 SIOLP-R8: 26.31 lbs (11.94 kg)

All dimensions are in inches (millimeters).

ARCHITECTURAL LINEAR SUSPENDED-DUAL LOUVER WITH PERFORATED

SIOLP

ORDERING INFORMATION

EXAMPLE: SIOLP-12-R4-T232-UNV-LTD2-X1-AC48

MODEL	ROW		SECTION 1		# OF LAMPS	LAMP TYPE		REFLECTOR	
SIOLP	xx	Increments Total Row Lengths	R4	4' Length	1	28T5	F28T5 (46")	(Blank)	White Reflector
			R8	8' Length	2	25T8	F25T8 (48")		
			R12	12' Length	3	28T8	F28T8 (48")		
						32	F32T8 (48")		
						54T5HO	F54T5HO (46")		

NOTE: "T" for tandem unit, add T. Example: SIOLP-8-T232

LOUVER		BALLAST		VOLTAGE		EM SECTION 2		FINISH	
(Blank)	Semi Specular (Std.)	(Blank)	Standard NBF T8 Instant Start (IS), or T5 Programmed Start (PS)	UNV	120-277V (Std.)	(Blank)	None EM	(Blank)	Matte White (Std.)
WBL	White Blade	LBF	T8 Electronic, IS, LBF	120	120V	1SE	1 Section	AL	Light Gray
WPL	White Perforated Blade	HBF	T8 Electronic, IS, HBF	277	277V	2SE	2 Section		
OP	Semi Specular Louver with White Acrylic Overlay	PS	T8 Electronic, PS, NBF	347	347V	xSE	x Section		
		LPS	T8 Electronic, PS, LBF						
		HPS	T8/T5 Electronic, PS, HBF						

* Available custom color (RAL)
Please provide us with the RAL number.

OPTIONS				CEILING TYPE		SUSPENSION LENGTH	
AB	Two Ballast AB Switch	DC	Dust Cover	X1	T-bar ceiling	AC48	Adjustable Aircraft Cable Canopy 48"L
EM	Emergency Ballast 2	BLK	Black Cord Set	X2	Hard ceiling	AC96	Adjustable Aircraft Cable Canopy 96"L
EMC	CEC compliant EM 6	DL	Damp Location Label			AC120	Adjustable Aircraft Cable Canopy 120"L
DM	Dimming Ballast 3	LTD1	Fully Downlight, White Aluminum Solid Cover			AC150	Adjustable Aircraft Cable Canopy 150"L
GLR	In Line Fuse 4	LTD2	Soft Uplight, Prismatic Acrylic Cover				
MS	Integrated Occupancy Sensor with Hold-Off Daylighting	BSC	Straight Connector 5				
SPE	Spade End Cap	COC	Separated EM feed for City of Chicago code compliance				

* Contact Factory for more suspension options.

NOTES:

- No need to select, if same as row length and section length.
- EM is installed in last 4' of luminaire sections.
Separate section required for 2SE or specified.
Emergency Ballast options, see page 390.
- Dimming Ballast options, see page 391.
- Must specify voltage, not available with 347V.
- Must be used with SPE.
- Check with factory for more details.