

# SM LED

INSTALLATION INSTRUCTIONS



## BEFORE YOU BEGIN

Read and follow all safety instructions



### WARNING

#### RISK OF FIRE, EXPLOSION AND ELECTRIC SHOCK

- This product should be installed, inspected, and maintained by a qualified electrician only, in accordance with the NEC (National Electric Code) and all local codes.
- Turn off electrical power before inspection, installation or removal.
- Use only UL (or other NRTL) approved wire for input/output connections.
- Make sure LEDs and drivers are cool to touch when performing maintenance.  
Make sure the supply voltage is the same as the rated voltage of the luminaire.
- Do not install in a hazardous atmosphere, except where the ambient temperature does not exceed the rated operating temperature of the fixture.
- Keep tightly closed when in operation



#### Prepare Electrical Wiring



##### Electrical Requirements

Must check if the local voltage range is correspond with the working voltage of the fixture. Use min. 75°C supply.



##### Grounding Instructions

The grounding and bonding of the overall system shall be done in accordance with NEC Article 600 and local codes.



Follow all applicable safety procedures and use Personal Protective Equipment such as hardhats, safety glasses, reflective vest, electrical safety gloves, fall protection equipment and safety toe boots during the installation, operation, and maintenance of the luminaire.



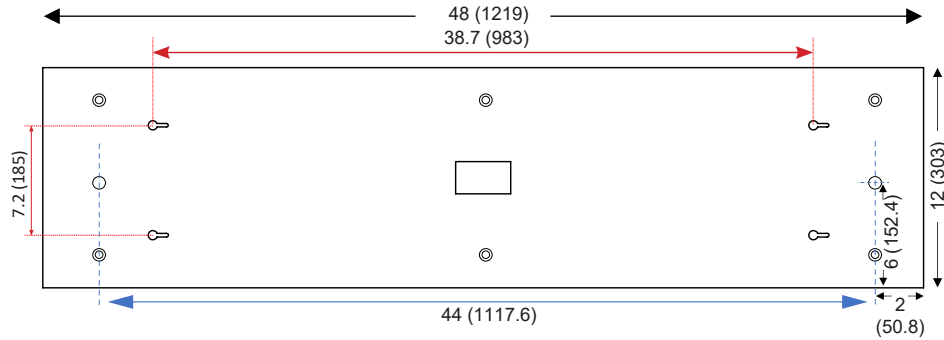
# SM LED INSTALLATION INSTRUCTIONS

## BACK SIDE

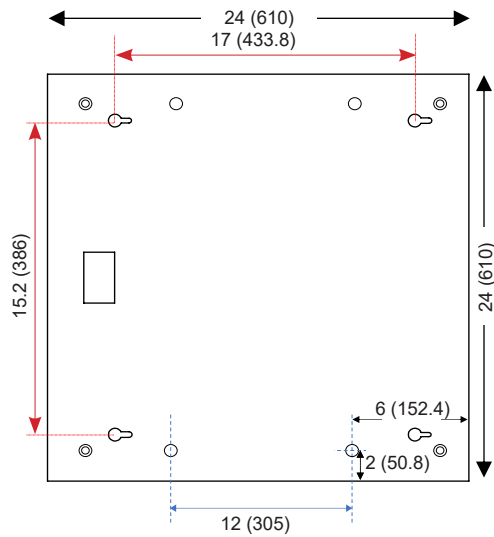
**RED:** ceiling surface mount

**BLUE:** 1/2" Pipe pendant mount (optional)

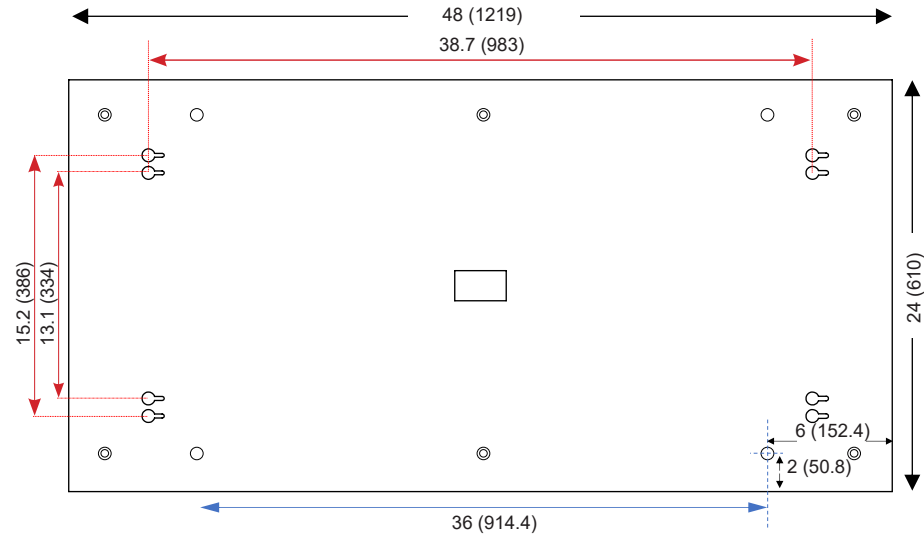
### 1X4



### 2X2



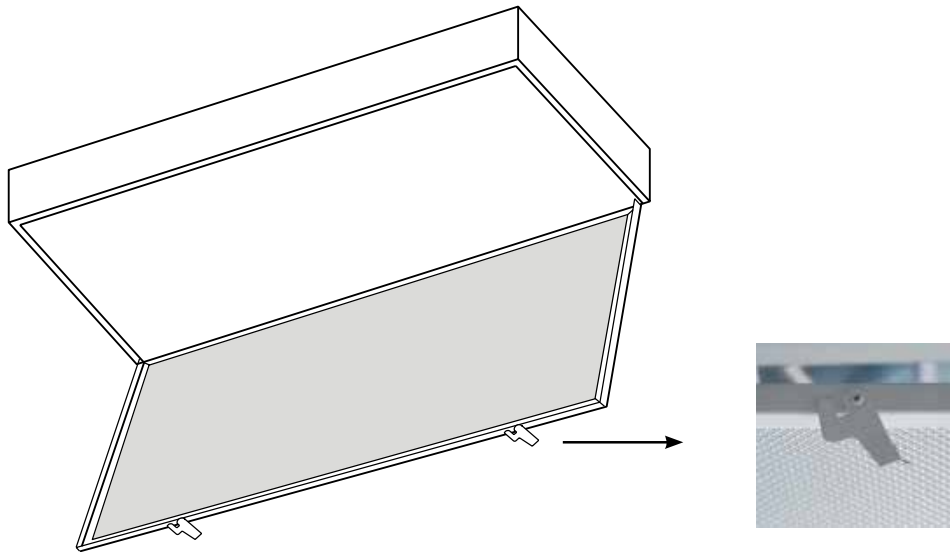
### 2X4



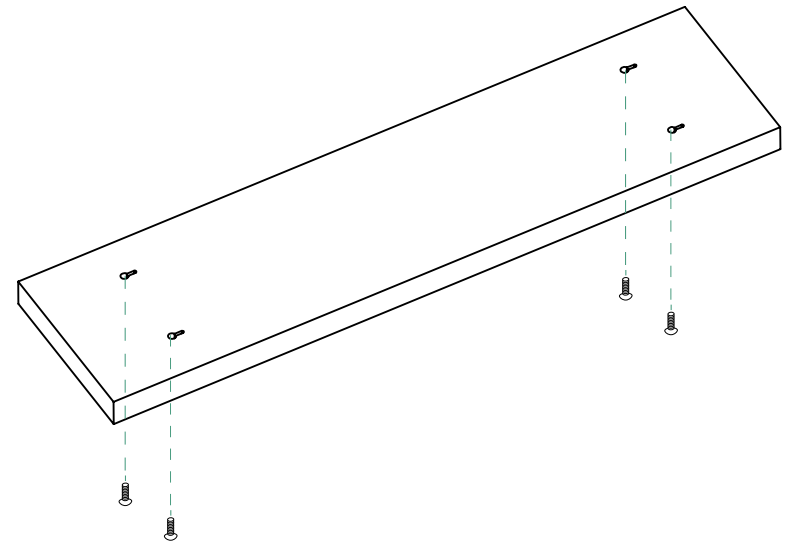
# SM LED

## INSTALLATION INSTRUCTIONS

### Ceiling Surface Mount



[FIG.1]



[FIG.2]

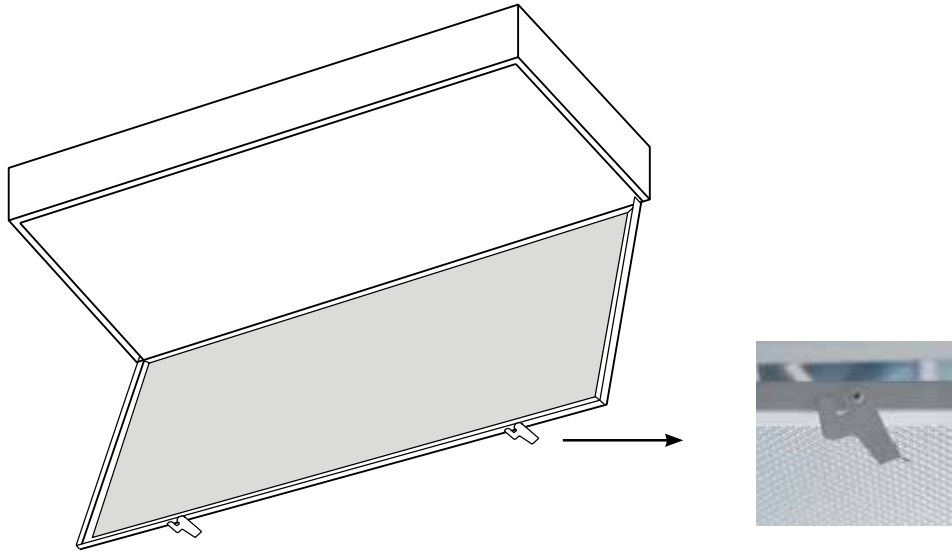
1. Carefully open the lighting fixture and inspect for any damage.
2. Remove door frame [Fig.1].
3. Make wire connection through the access plate, make sure the ground wire is screwed on the ground plate.
4. Install and fix the housing [Fig.2].
5. Close the door frame.



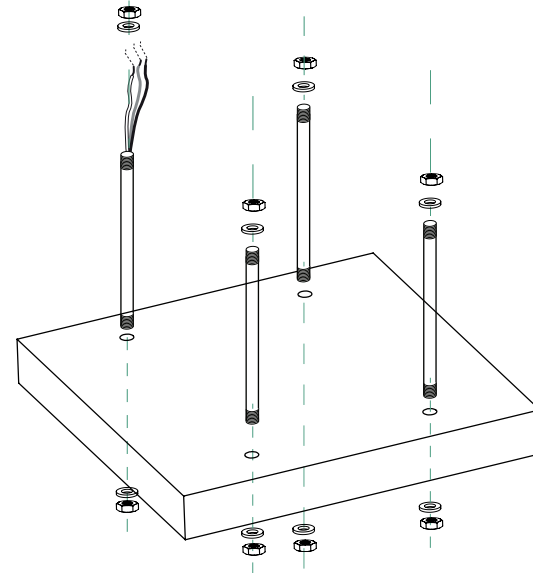
# SM LED

## INSTALLATION INSTRUCTIONS

### Pipe Pendant Mount



[FIG.1]



[FIG.2]

Stem provided by others.

1. Carefully open the lighting fixture and inspect for any damage.
2. Remove door frame [Fig. 1].
3. Install (4) 1/2" stems and use washer and lock-nuts on both ends to fully secure and tighten the fixture [Fig.2].
4. Run and make wire connection through one of the stems.
5. Close the door frame.

