

T

Project Name:	
Type:	



APPLICATION

This recessed, low-profile designed with an acrylic lens, high performance static luminaires provide general illumination. Its high efficiency, great performance and value make it an ideal choice for commercial and institutional environments.

FEATURES:

- 100% acrylic, clear prismatic, pattern #12 with minimum 0.1" thickness A12 lens as standard.
- Die formed, cold-rolled, heavy gauge steel housing construction provides durability and strength.
- Standard steel door frame allows easy lens replacement without tool. Unique door frame design delivers a premium extruded appearance. Smooth edges for easy handling. Powder-painted, door steel latches provide easy, secure door closure. Spring-loaded latches optional.
- Painted parts finished with high-gloss baked white enamel over rust inhibiting phosphate coating for maximum corrosion resistance.

MOUNTING:

- Recessed ceiling mount.
- Compatible with most ceiling types.

LAMP:

- Standard T8, T5, T5HO and PL-L lamps are available.
- 2X2 fixtures can be used with 2 to 3 higher efficiency PL-L lamp.
- Pressure-lock lamp holders or easy twist lock lamp sockets.
- Lamps not included.

ELECTRICAL:

- High power factor instant start electronic ballast for T8 lamps are sound rate A, minimum starting temperature 0°F (-18°C), <10% THD and input voltage ranges of 120 to 277 volts comes as standard.
- High power factor programmed start electronic ballast for T5 and T5HO lamps are sound rate A, minimum starting temperature 0°F (-18°C), <10% THD and input voltage ranges of 120 to 277 volts comes as standard.
- Ballast disconnect plug provided as standard.

LISTING:

- UL/CUL listed and labeled.
- Suitable for damp locations.
- ARRA compliant (optional).

CONFIGURATIONS

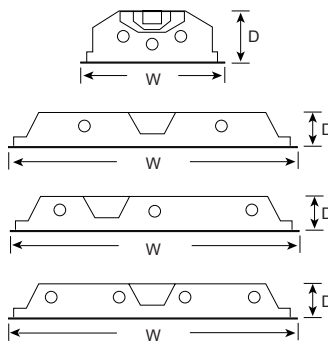
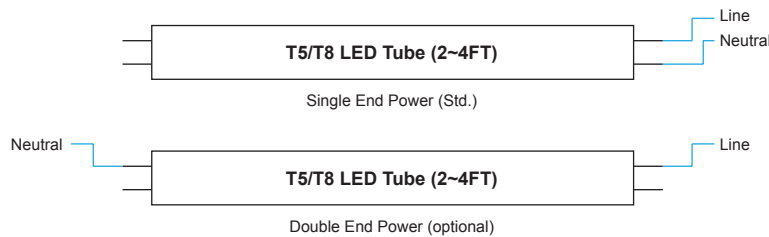
Series	Size	# Of Lamps	Lamp Type
T	1'x4'	1, 2, 3	25T8, 28T5, 28T8, 32T8, 54T5HO
		2	14T5, 17T8, 24T5HO, 31U1, 32U6
	2'x2'	3	14T5, 17T8, 24T5HO, 31U1
		4	14T5, 17T8, 24T5HO
	2'x4'	2, 3, 4, 6	25T8, 28T5, 28T8, 32T8, 54T5HO

LWG option



Wiring diagram for LED ready

Applied AC voltage depends on LED tube spec.



Specifications: 1'x4'

Length: 47-3/4 (1213)
 Width: 11-15/16 (303)
 Depth: 4-1/2 (115)
 Weight: 14.4 lbs (6.53 kg)

Specifications: 2'x2'

Length: 23-3/4 (603)
 Width: 23-15/16 (608)
 Depth: 3-1/2 (88.9)
 Weight: 12.63 lbs (5.73 kg)

Specifications: 2'x4'

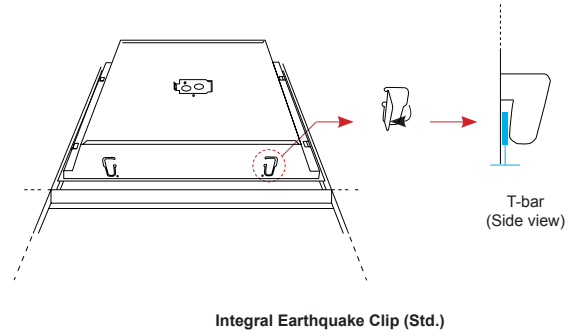
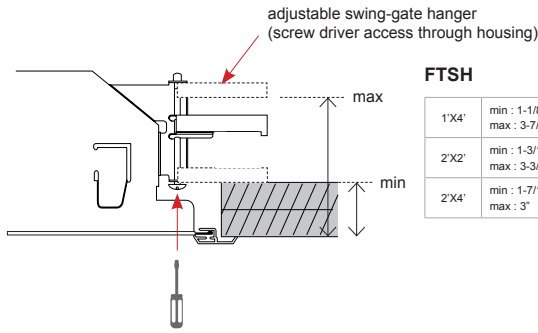
Length: 47-3/4 (1213)
 Width: 23-15/16 (608)
 Depth: 3-1/2 (88.9)
 Weight: 20.13 lbs (9.13 kg)

All dimensions are in inches (millimeters).

RECESSED TROFFER

CEILING OPENING

Series	Size	Width	Length
FK	1'X2'	12-3/8"	24-3/8"
	1'X4'	12-3/8"	48-3/8"
	2'X2'	24-3/8"	24-3/8"
	2'X4'	24-3/8"	48-3/8"
FTSH	1'X4'	12-3/16"	48-3/4"
	2'X2'	23-15/16"	24-7/8"
	2'X4'	24-5/8"	48-3/4"



ORDERING INFORMATION

EXAMPLE: T-24-332-UNV

MODEL	SIZE	# OF LAMPS	LAMP TYPE			DOOR FRAME		TRIM TYPE			
T	14	1'x4'	1	14T5	F14T5 (22")	32	F32T8 (48")	(Blank)	Flush Steel, White	(Blank)	Grid
	22	2'x2'	2	28T5	F28T5 (46")	32U6	F32U6 (6" leg)	SB	Flush Steel, Black	FTSH	Flanged Trim ²
	24	2'x4'	3	17	F17T8 (24")	24T5HO	F24T5HO (22")	FB	Flush Aluminum, Black	SH	Swing Gate Hanger
			4	25T8	F25T8 (48")	54T5HO	F54T5HO (46")	FN	Flush Aluminum, Natural	FK	Flange ⁹
			6	28T8	F28T8 (48")			FW	Flush Aluminum, White		
				31U1	F31U1 (1-5/8" leg) ¹			RB	Regressed Aluminum, Black ⁷		
							RN	Regressed Aluminum, Natural ⁷			
							RW	Regressed Aluminum, White ⁷			

DIFFUSER		BALLAST		VOLTAGE		OPTIONS	
(Blank)	Pattern #12 Acrylic Lens 0.100" Thick	(Blank)	T8 Electronic, Instant Start, <10% THD or T5 Electronic, Programmed Start, <10% THD	UNV	120-277V	AB	Two Ballast for AB Dual Circuit
A12125	Pattern #12 Acrylic Lens 0.125" Thick	LBF	T8 Electronic, Instant Start, Low Watt, <10% THD	120	120V	EM	Emergency Ballast ^{3,5}
A19	Pattern #19 Acrylic Lens 0.156" Thick	HBF	T8 Electronic, Instant Start, High Light Output, <10% THD	277	277V	EMC	CEC compliant EM ⁷
P1	1/2"x1/2"x1/2" Deep Specular Plastic Louver	PS	T8 Electronic, Programmed Start, <10% THD	347	347V	DM	Dimming Ballast ⁴
WA08	White Acrylic 0.08" Thick	LPS	Electronic, Programmed Start, Low Watt, <10% THD			GLR	Fast Blow Fuse ⁵
WA125	White Acrylic 0.125" Thick	HPS	Electronic Ballast, Programmed Start, High Light Output, <10% THD			GMF	Slow Blow Fuse ⁵
						MS11	Master Slave w/ 11' Whip
						PW6	Pre-wired 6' Whip Flex #18/3
						SLL	Spring-Loaded Latches ⁶
						ARRA	Assembled in USA for Buy American Act
						GS1	Single Gasketing
						DEP	Double End Power for LED ready

NOTES:

1. U-Bent, 1-5/8" Leg Spacing, T8: 31 watt
2. Flanged trims are supplied with swing gate hanger.
3. Emergency Ballast options, see page 390.
4. Dimming Ballast options, see page 391.
5. Must specify voltage, not available with 347V.
6. RB, RN and RW door frames are not available with SLL option.
7. Check with factory for more details.
8. Flange kits are supplied in separate boxes, filed installed.