

# TBL LED

Project Name:	
Type:	



### APPLICATION

These T-bar linear LED luminaire can create infinite and limitless geometric configurations on the ceiling. Ideal applications include architectural, commercial and retail as well as offices, conference rooms, lobbies and corridors.

### MOUNTING:

- T-bar ceiling with 9/16" and 15/16".

### LED:

- High quality array LEDs.
- Color Rendering Index: >80
- Color temperature: 3500/4000(K)
- L70 >50,000 hrs
- Beam angle  
G1: 2FT- 123°, 4FT- 128°  
G2: 2FT, 4FT- 120°

### ELECTRICAL:

- 0-10V dimming (12% - 100%)
- 120-277V, 50/60Hz
- Power Factor: >0.90
- THD: <20%
- Tested dimmer list.
- Remote driver box standard  
(3 units per driver, remote distance limit:  
Cat5 cable for 2FT: 6ft  
Cat5 cable for 4FT: 8ft  
12ft Cat5 cable can be an optional upon request.)

### LISTING:

- UL listed.
- DLC listed.
- Suitable for damp location.
- 5 years warranty.

### CONFIGURATIONS

Series	Size	Model #	AC Input	Lumen Output	Lumen Efficiency	Mounting
TBL LED	2FT	10LED	10W	1100 lm	110 lm/W	G1
	4FT	20LED	20W	2400 lm	120 lm/W	
	2FT	10LED	10W	1300 lm	130 lm/W	G2
	4FT	20LED	20W	2600 lm	130 lm/W	

### ORDERING INFORMATION

EXAMPLE: TBL-2-10LED-35K-UNV-G1

MODEL	LENGTH	LED	COLOR TEMP.	VOLTAGE	MOUNTING
TBL	2 2' Length	10LED 10W LED	-35K 3500K -40K 4000K	UNV 120-277V	G1 9/16" T-bar Ceiling Grid G2 15/16" T-bar Ceiling Grid SS 9/16" Screw Slot Ceiling Grid ?
	4 4' Length	20LED 20W LED			

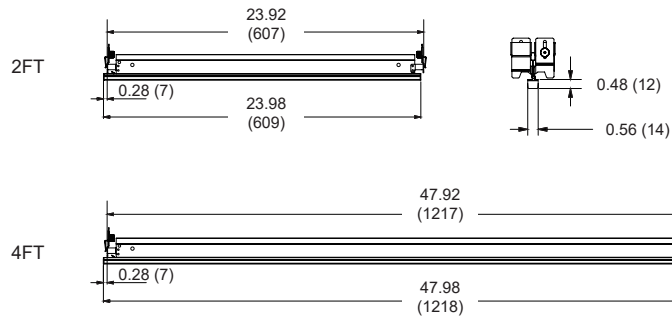
OPTIONS		LIGHTING CONTROL SYSTEM	
EC BK	12ft extension cable (for use with 8ft standard cable) Black finish end cap	PPA102S	<Bluetooth> Bluetooth Powerpack (Consult factory for installation location)

- NOTES:
- Contact factory for custom pattern.
  - Only available in 35K.

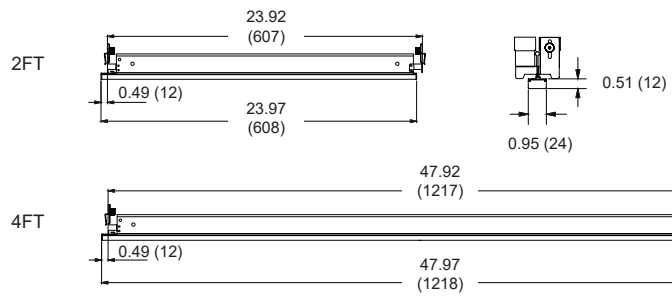
# TBL LED

All dimensions are in inches (millimeters).

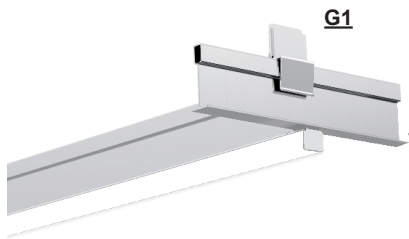
## G1



## G2



# TBL LED

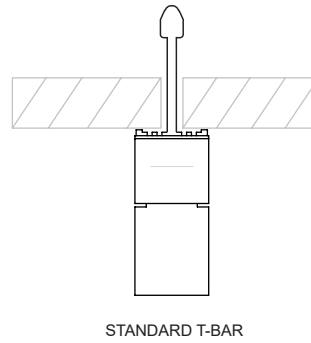
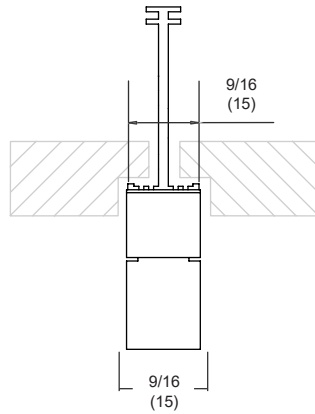


**G1**

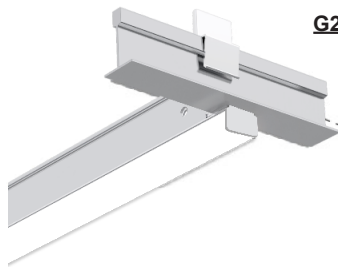
9/16" Flat  
Fine Line Ceiling



\* Compatible with Suprafine XL ceiling from Armstrong World Industries company.  
Compatible with Tegular and Lay-in ceiling tile.



STANDARD T-BAR

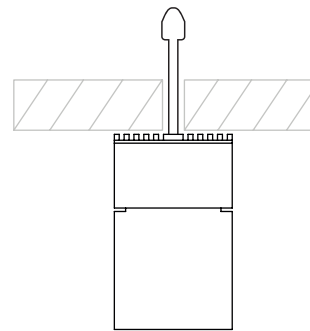
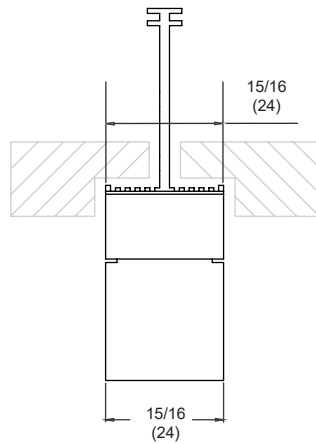


**G2**

15/16" Flat  
T-Grid Ceiling



\* Compatible with Prelude XL and Clean Room ceiling from Armstrong World Industries company.  
Compatible with Tegular and Lay-in ceiling tile.



STANDARD T-BAR

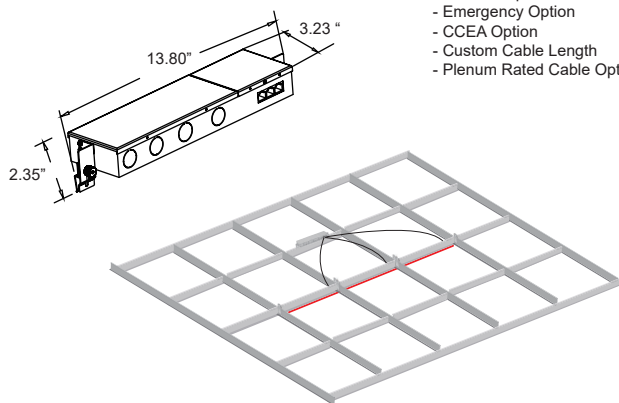
# TBL LED

## Easy Wiring And Mess Free Save Cost Without Compromising Style

Brilliant design and intuitive engineering fearlessly combine to deliver unprecedented performance. TBL series' striking contrast of effortless style and urban edginess makes a distinct statement in any suspending ceiling space. It can be parallel connected up to 6ft (2' fixture) and 12ft (4' fixture) max per power supply. Max distance from fixtures to power supply is 8 feet with 24 AWG cable. RJ45 terminal make easy installation and safe wiring. (optional 12ft extension cable available)

### Remote LED Driver

It can be parallel connected up to 6ft (2' fixture) and 12ft (4' fixture) max per power supply. Max distance from fixtures to power supply is 8 feet with 24 AWG cable. RJ45 terminal make easy installation and safe wiring.



- Optional Functions:**
- 24V DC Options
  - Emergency Option
  - CCEA Option
  - Custom Cable Length
  - Plenum Rated Cable Option

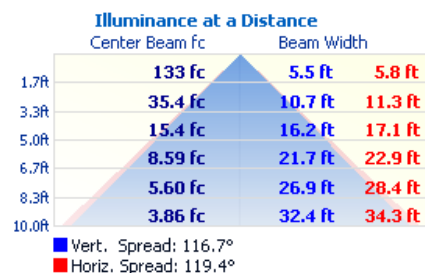


**IC Rated**  
UTOPIA's T-grid LED is IC rated, which has additional insulation materials either by code or design requirement for installation in suspended ceilings.

### COMPATIBLE DIMMER SWITCH

Model #	Brand	Compatible Dimmer Switch	
(Blank)	-	<Lutron>	Diva DDTV

### TBL-2-10LED-G2



### TBL-4-20LED-G2

