

VR9

Project Name:	
Type:	



APPLICATION

The VR9 series is a premium grade architectural linear fluorescent luminaire that can be wall or ceiling mounted. It is designed to provide the extra level of protection and security required in high occupancy public areas.

FEATURES:

- Heavy gauge marine grade extruded aluminum with die-cast end caps. Includes knockouts for surface conduit and tandem mounting.
- The polycarbonate lens and tamper resistant fasteners for high abuse areas. Also available with occupancy sensors.

MOUNTING:

- Surface wall, ceiling and pendant mount.
- Can be continuous row mounted as needed.

LENS & REFLECTOR:

- UV stabilized polycarbonate lens available in opal, secured by four tamper resistant screws.
- Precision die formed 20 gauge full reflector that also acts as a wire cover with 92% reflectivity.

LAMP:

- Available wired in 1, 2 or 3 lamp configurations with T8, T5 or T5HO lamps, using UNV instant start, programmed start ballast.
- Lamp not included.
- Available with Bi-Level options.

ELECTRICAL:

- High power factor instant start electronic ballast for T8 lamps are sound rate A, minimum starting temperature 0°F (-18°C), <10% THD and input voltage ranges of 120 to 277 volts comes as standard.
- High power factor programmed start electronic ballast for T5 and T5HO lamps are sound rate A, minimum starting temperature 0°F (-18°C), <10% THD and input voltage ranges of 120 to 277 volts comes as standard.
- Ballast disconnect plug provided as standard.

LISTING:

- UL listed.
- Suitable for damp location.
- ARRA compliant.

ORDERING INFORMATION

EXAMPLE: VR9-4-232-UNV

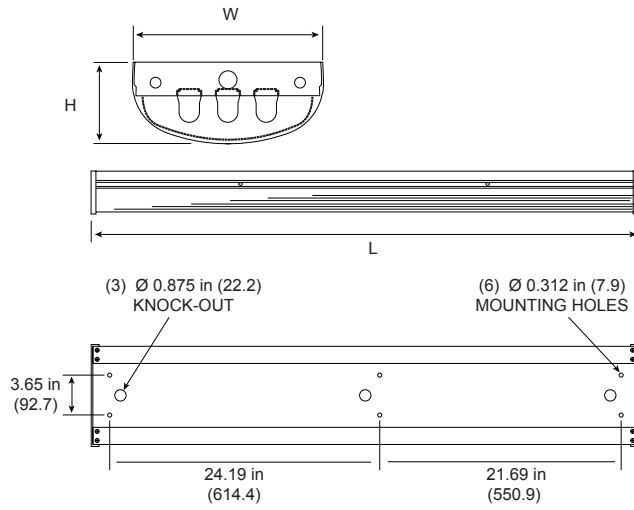
MODEL	LENGTH	# OF LAMPS	LAMP TYPE	LENS	BALLAST
VR9	4 4' Length	1	25T8 F25T8 (48")	(Blank) Opal (Std.)	(Blank) T8 Electronic Ballast, Instant Start, <10% THD or T5 Electronic Ballast, Programmed Start, <10% THD
		2	28T8 F28T8 (48")		
		3	32 F32T8 (48")		
			54T5HO F54T5HO (46")		
					LBF T8 Electronic Ballast, Instant Start, Low Watt, <10% THD HBF T8 Electronic Ballast, Instant Start, High Light Output, <10% THD PS T8 Electronic Ballast, Programmed Start, <10% THD LPS Electronic Ballast, Programmed Start, Low Watt, <10% THD HPS Electronic Ballast, Programmed Start, High Light Output, <10% THD

VOLTAGE	OPTIONS
UNV 120-277V (Std.)	AB Two Ballast AB Switch
120 120V	CW Cold Weather Ballast (Minimum Starting Temp. -20°F/-29°C)
277 277V	EM Emergency Ballast ¹
347 347V	EMC CEC compliant EM ⁴
	DM Dimming Ballast ²
	GLR Fast Blow Fuse ³
	GMF Slow Blow Fuse ³
	MS Occupancy Sensor ⁴
	WMS Motion Sensor for Wet Location Use

NOTES:

1. For tandem double-length unit. (Example): W8-432
2. W- ; 2 lamp and tandem for wide housing. (not available in 8FT length), (Example): W2-W217, W3-W225, W4-W232
3. Emergency Ballast options, see page 390.
4. Dimming Ballast options, see page 391.
5. Must specify voltage, not available with 347V.
6. Check with factory for more details.

VR9



Specifications: VR9

Height : 3.97 (100.8)
Width : 9.26 (235.3)
Length : 49.13 (1247.8)

All dimensions are in inches (millimeters).