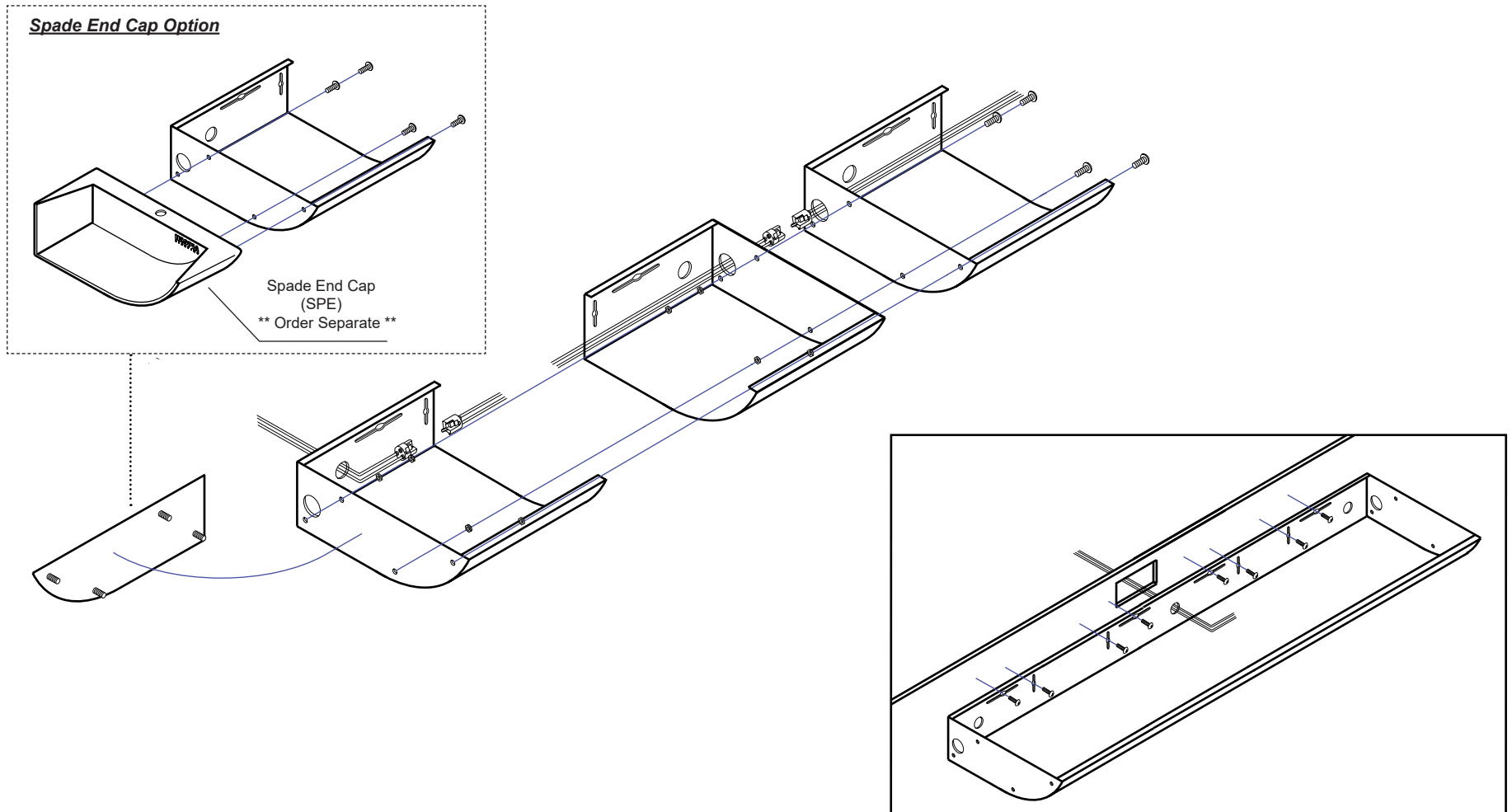


WIOL / WIOP / WIODLP

INSTALLATION INSTRUCTIONS

A) Wall Mounting and Fixture Joining

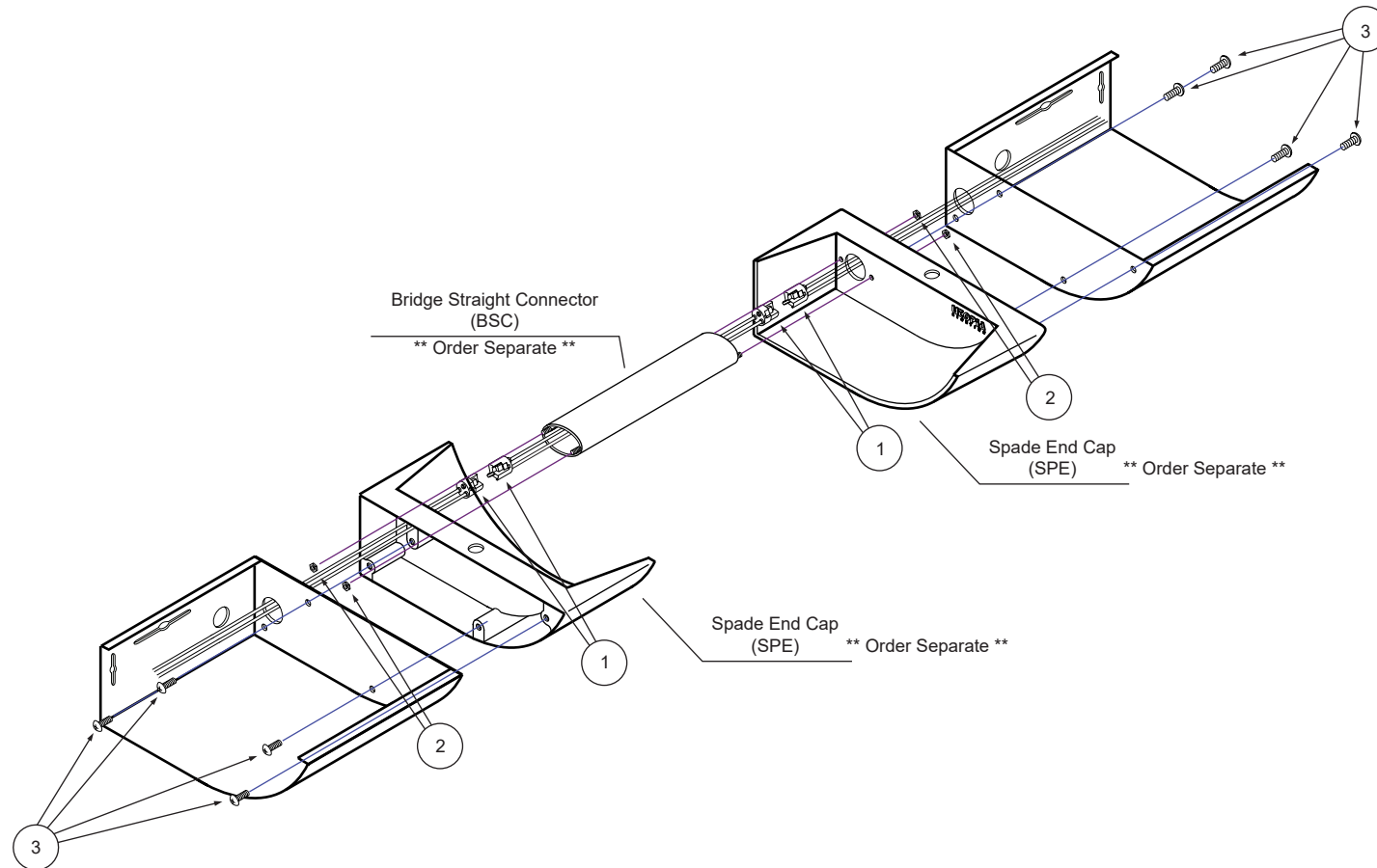


- 1) Cut a rectangular window on the wall.
- 2) Insert building power wire through the fixture.
- 3) Screw the fixture to wall as shown.



WIOL / WIOP / WIODLP INSTALLATION INSTRUCTIONS

B) Fixture with Tenon Installation



- 1) Connect the male and female quick wire connectors, then put connector into the bridge straight connector.
- 2) Connect bridge straight connector to spade end cap, then screw nut and tighten it.
- 3) Bolt fixture together. Be sure to align and level the fixture for a straight row.

